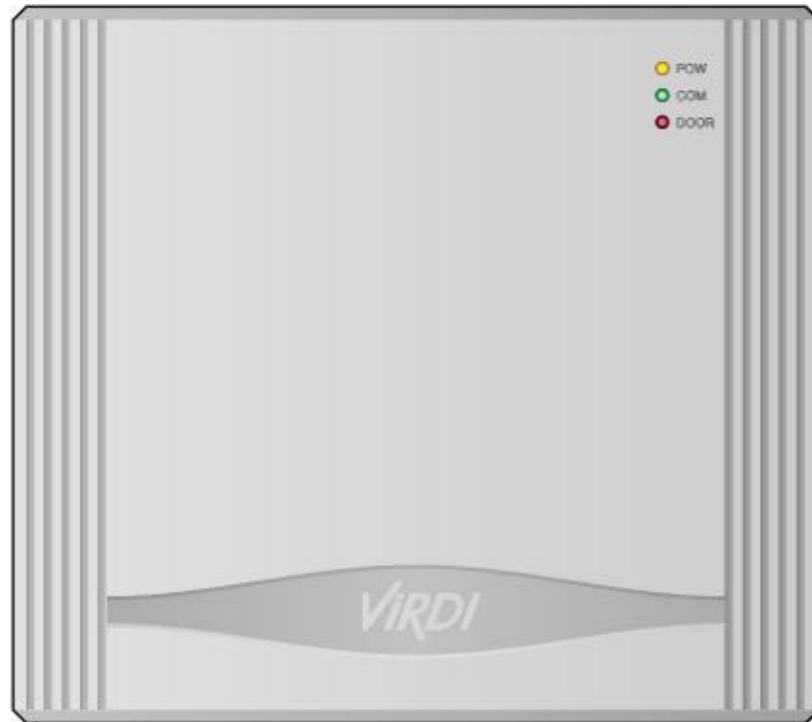
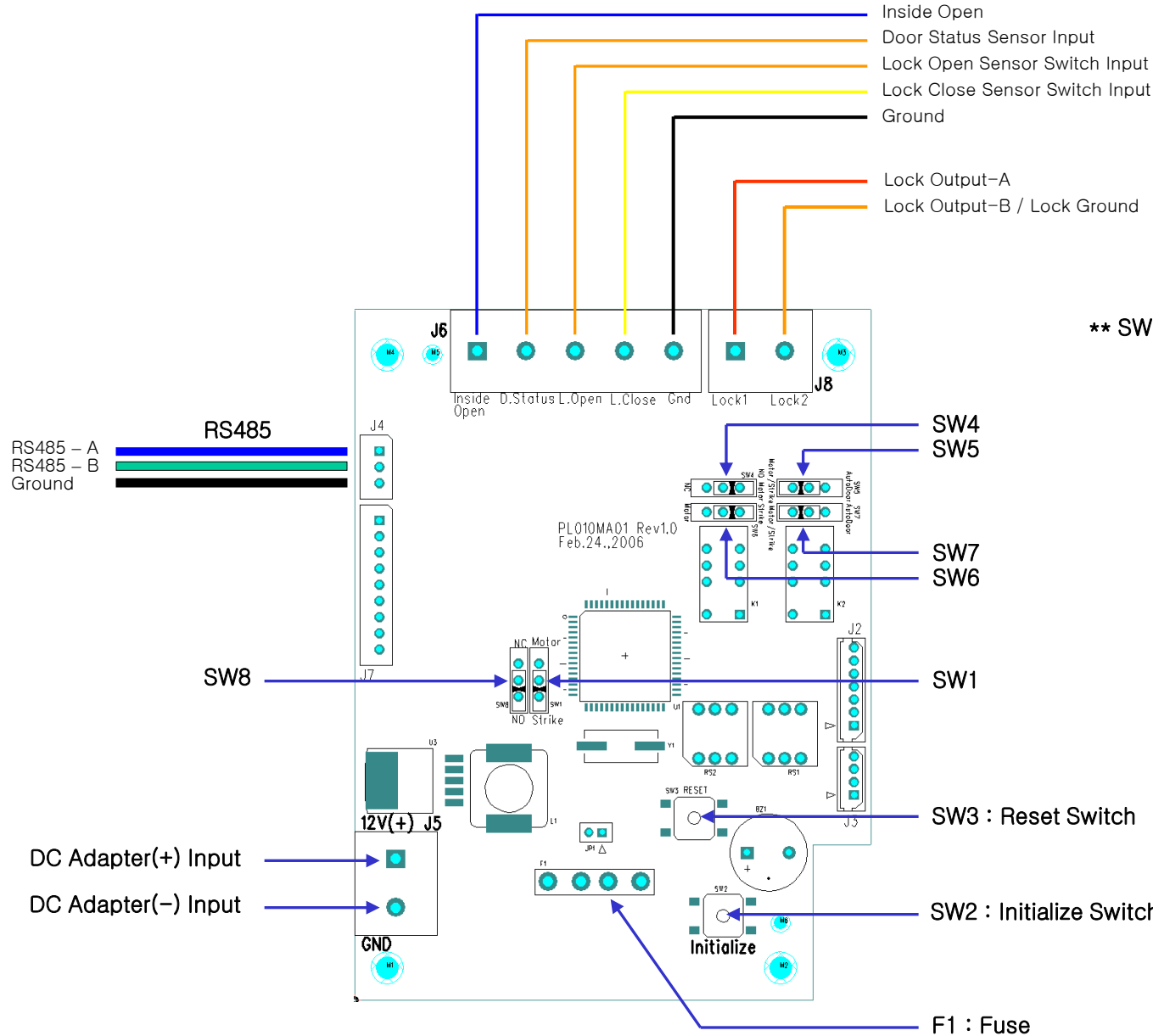


Installation For VIRDI-LC010 Lock controller



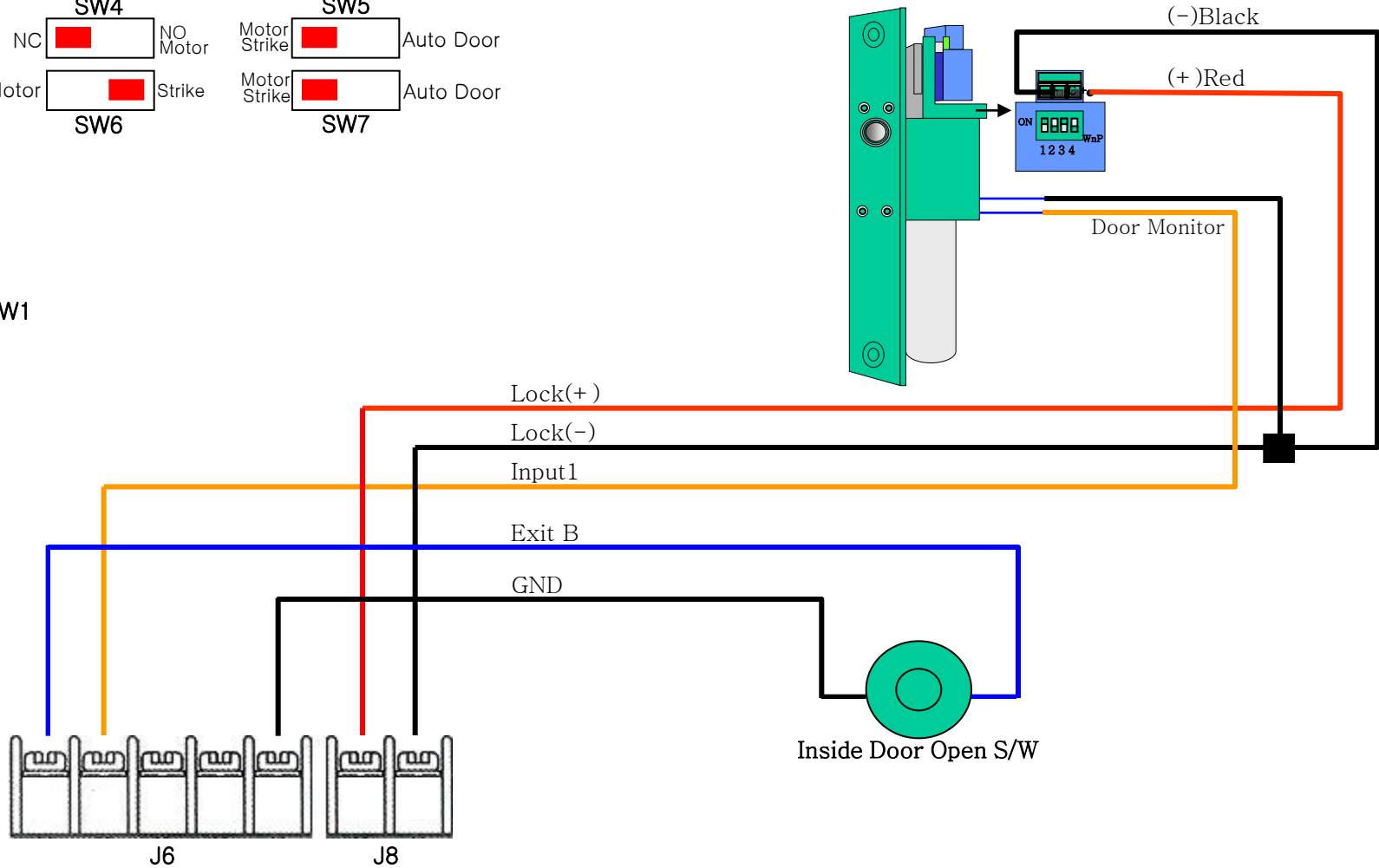
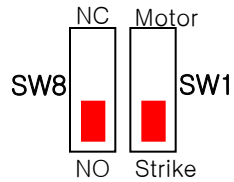
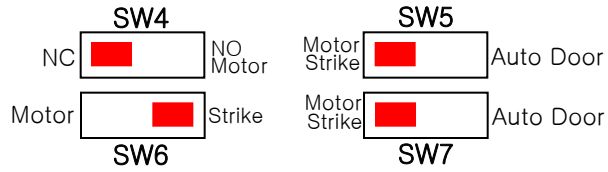
1. Main Board Feature



** SW1,SW4~8: Lock Type Select Switch

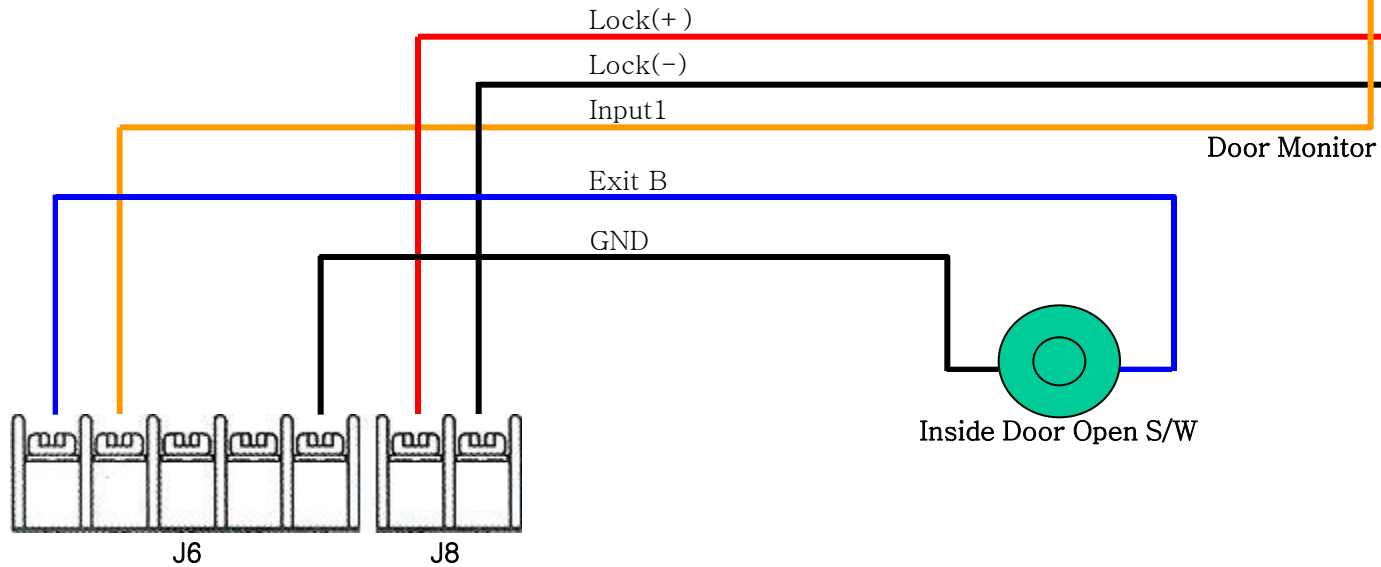
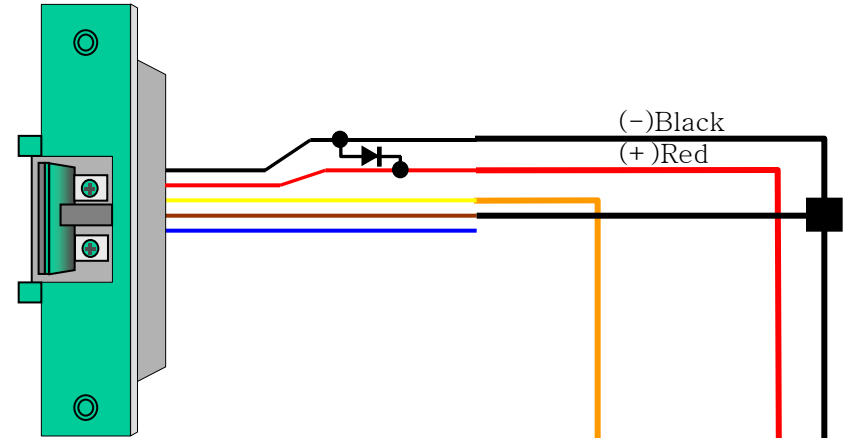
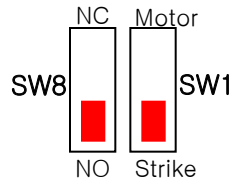
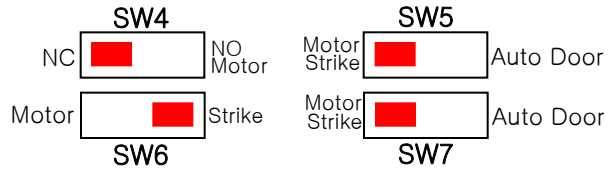
2. Connecting Dead-Bolt Type Door Lock(Fail Safe)

Lock Type Select S/W



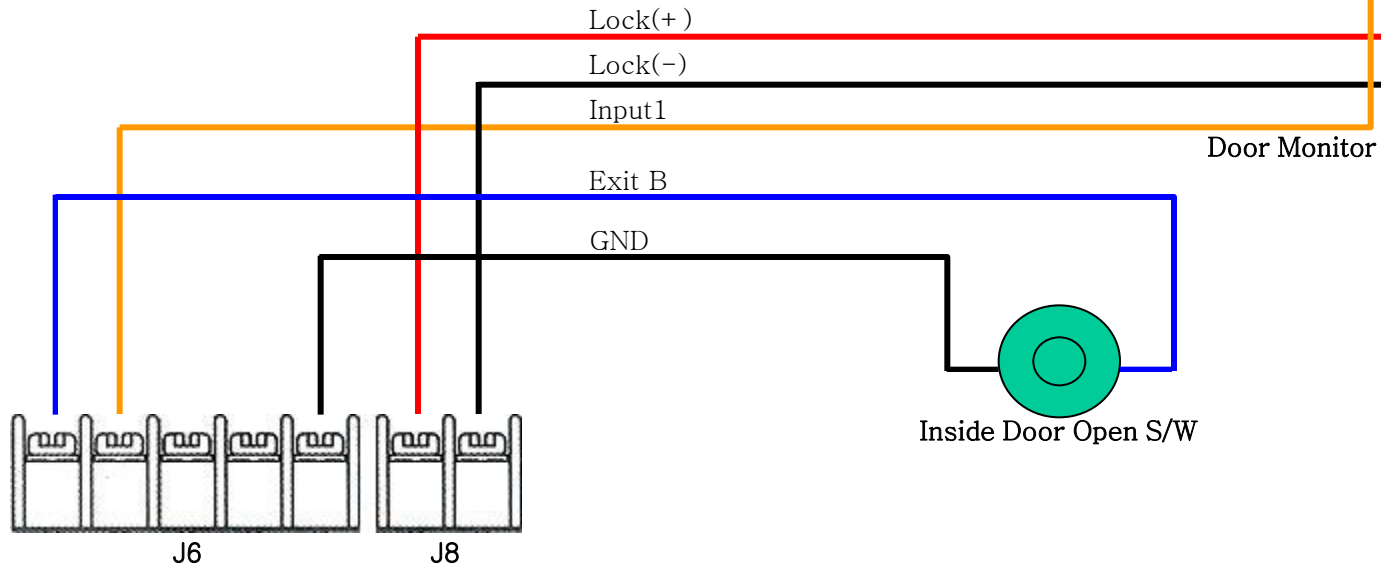
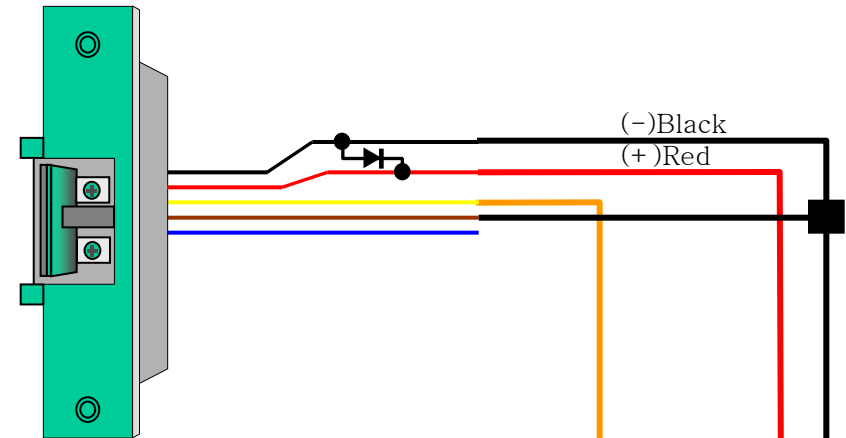
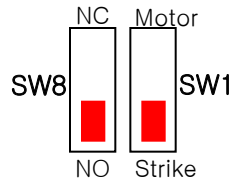
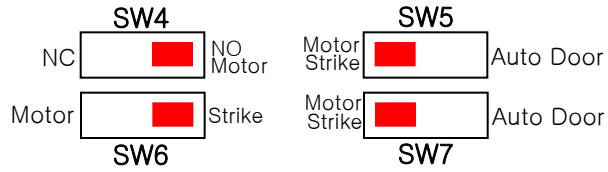
3. Connecting Strike Type Door Lock(Fail Safe)

Lock Type Select S/W



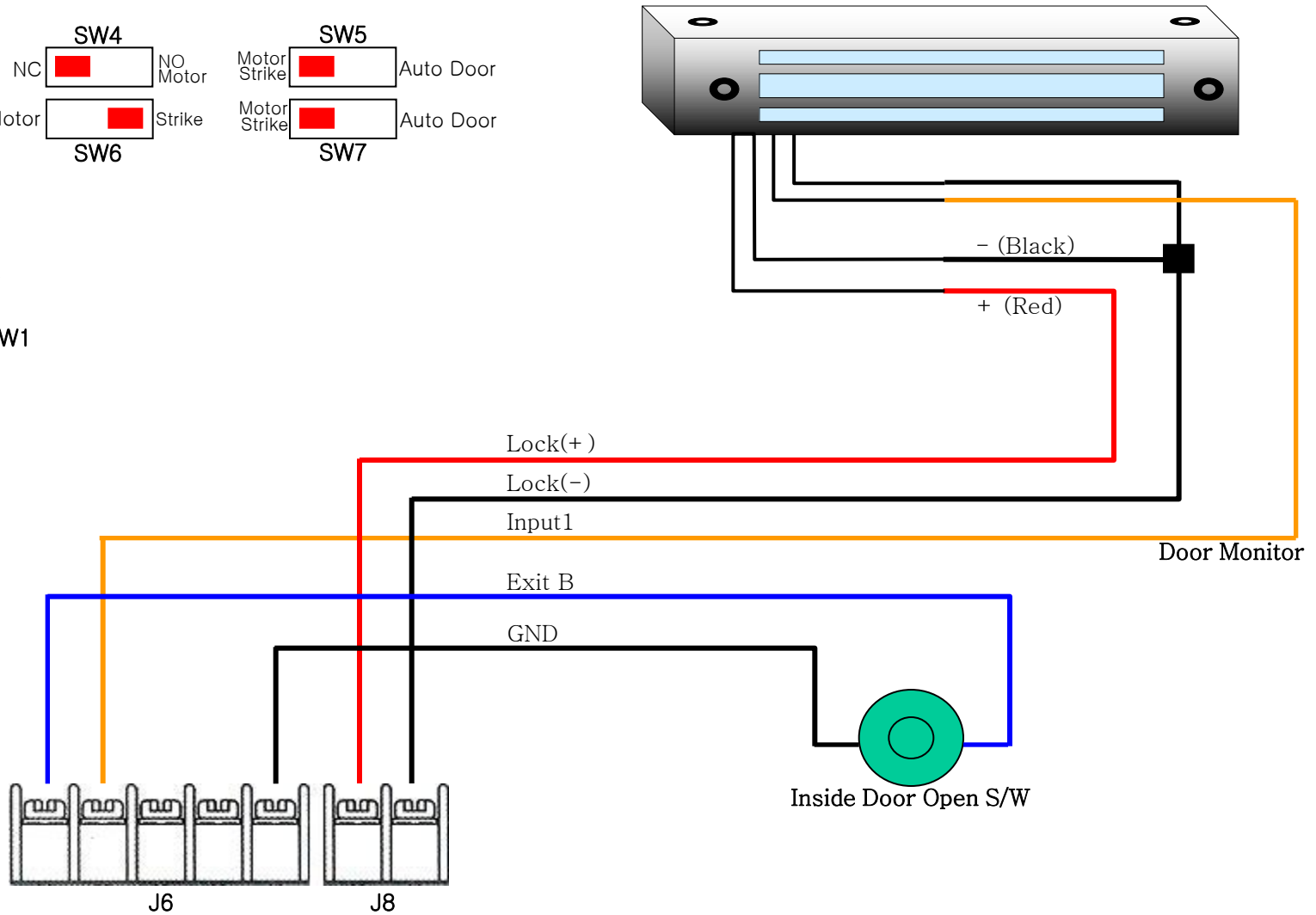
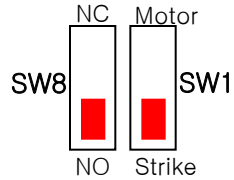
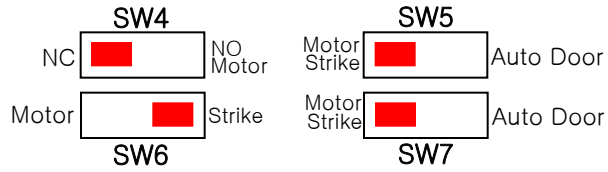
4. Connecting Strike Type Door Lock(Fail Secure)

Lock Type Select S/W



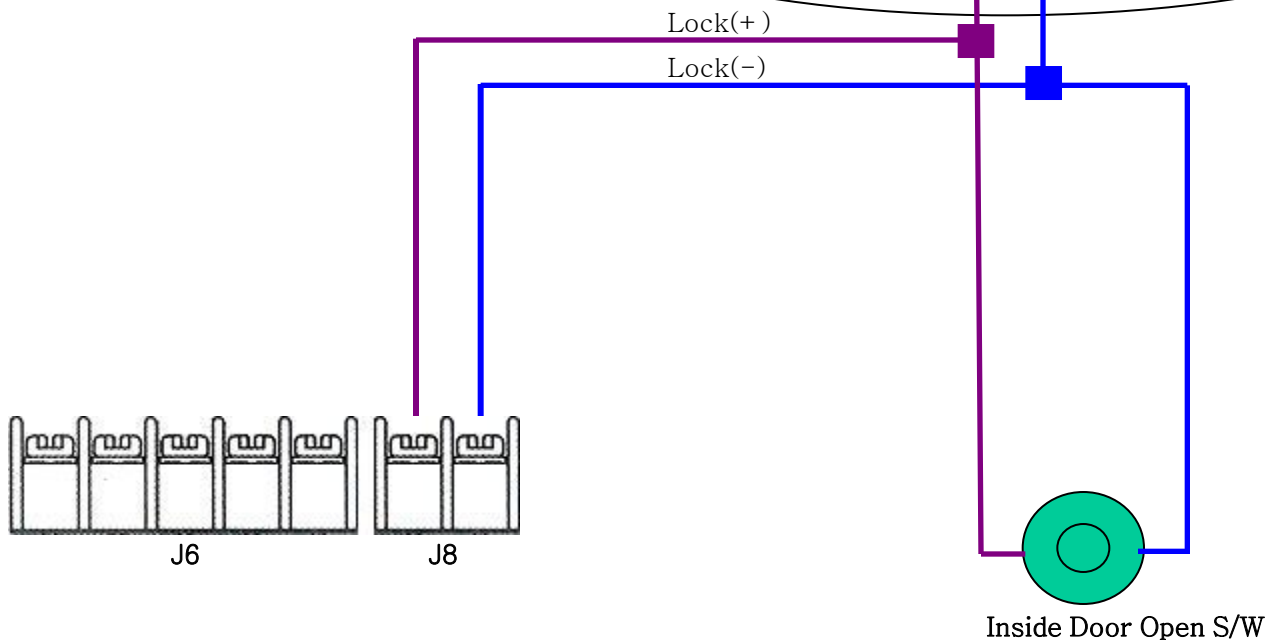
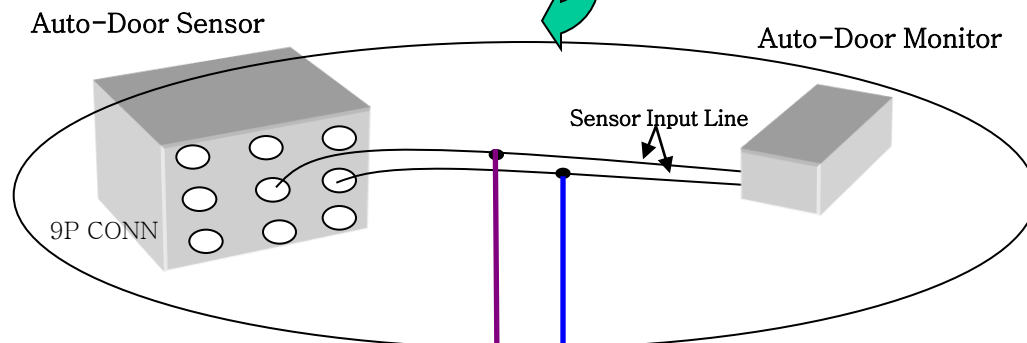
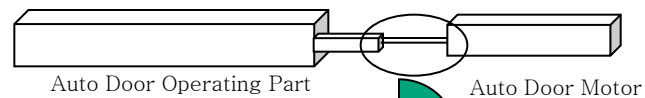
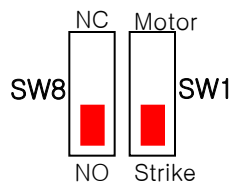
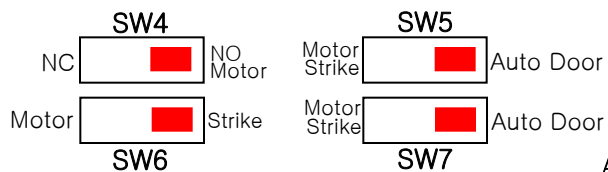
5. Connecting EM Type Door Lock(Fail Safe)

Lock Type Select S/W



6. Connecting Auto-Door (Contact Control)

Lock Type Select S/W



7. Connecting Motor Lock

Lock Type Select S/W

