

***Installation Guide***  
***for***  
***BLC-015 V2.2 Lock Controller***  
***w/Battery charger***

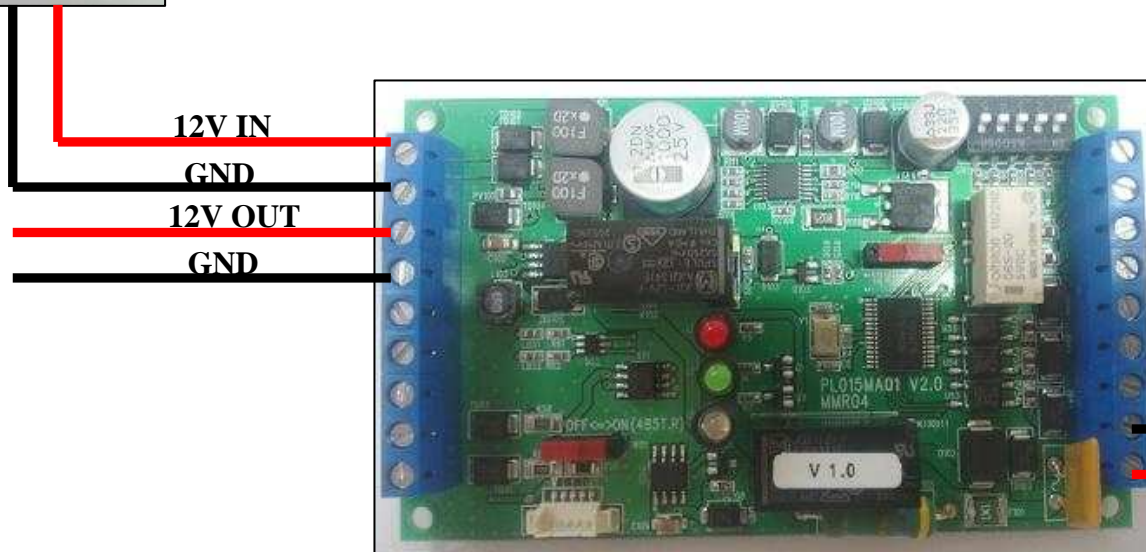


*August 05, 2014*  
*HSD TEAM*  
***Union Community Co., Ltd.***

# 1. Power Connection



DC 12V 2.5A  
Power Adapter



12V IN

GND

12V OUT

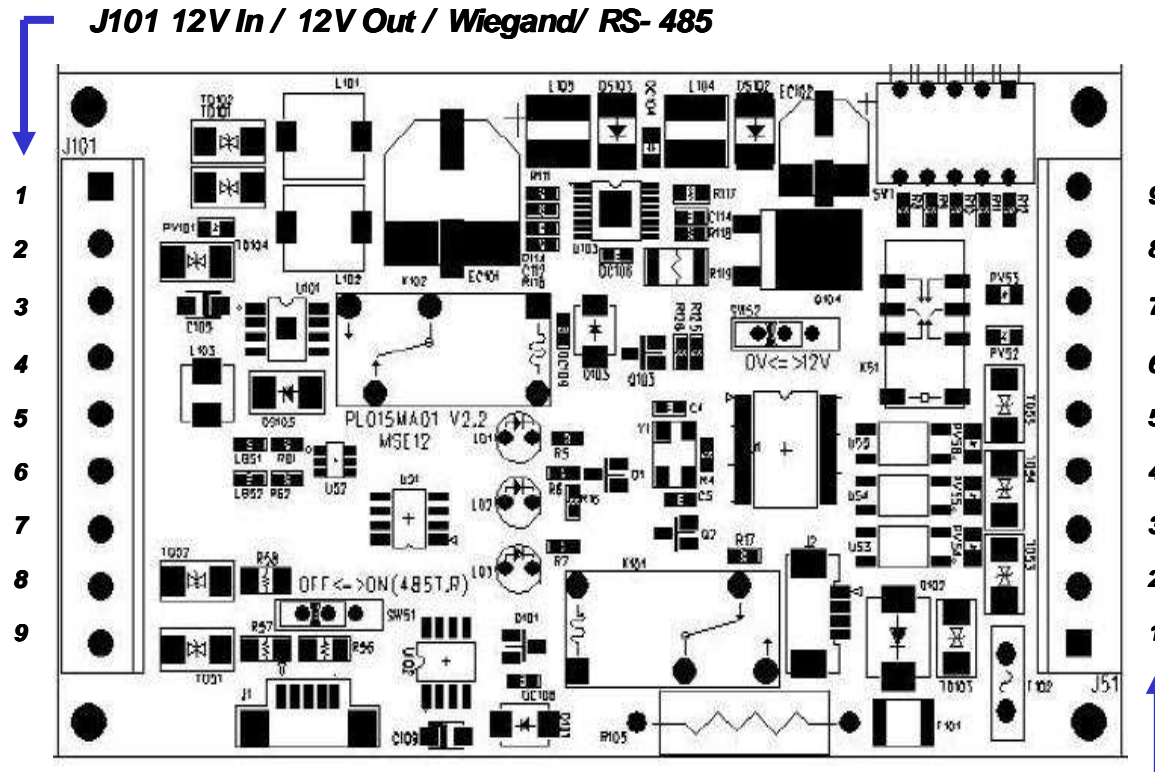
GND

BAT(-)

BAT(+)

Backup Battery  
Interface

## 2. Board Feature & Connector Description

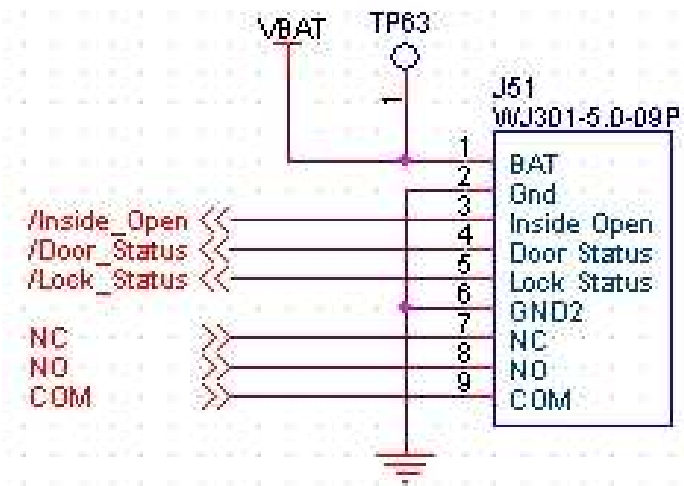
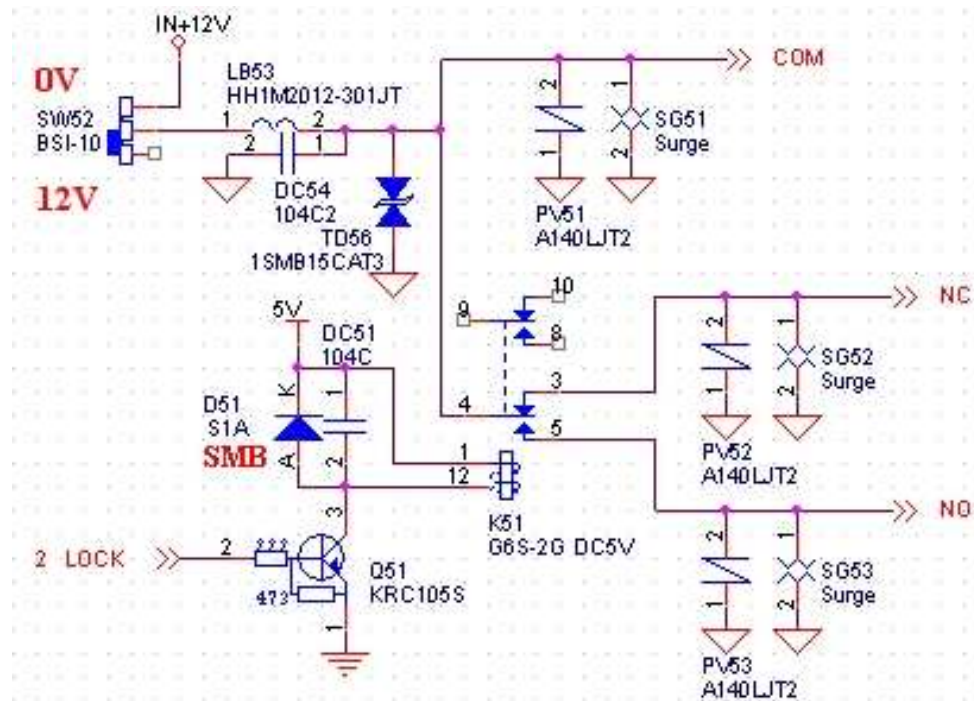


- J101**
- 1 [ 12V IN ] : 12V Power Input
  - 2 [ GND ] : Ground
  - 3 [ 12V OUT ] : 12V Power Out
  - 4 [ GND ] : Ground
  - 5 [ Wie IN0 ] : Wiegand IN0
  - 6 [ Wie IN1 ] : Wiegand IN1
  - 7 [ GND ] : Ground
  - 8 [ 485-A ] : RS-485A
  - 9 [ 485-B ] : RS-485B

- J51**
- 9 [ COM ] : Common
  - 8 [ NO ] : Normal Open
  - 7 [ NC ] : Normal Close
  - 6 [ GND ] : Ground
  - 5 [ IN2 ] : Lock Status
  - 4 [ IN1 ] : Door Status
  - 3 [ IN0 ] : Inside Open
  - 2 [ GND ] : Battery(-)
  - 1 [ 12V BAT ] : Battery(+)

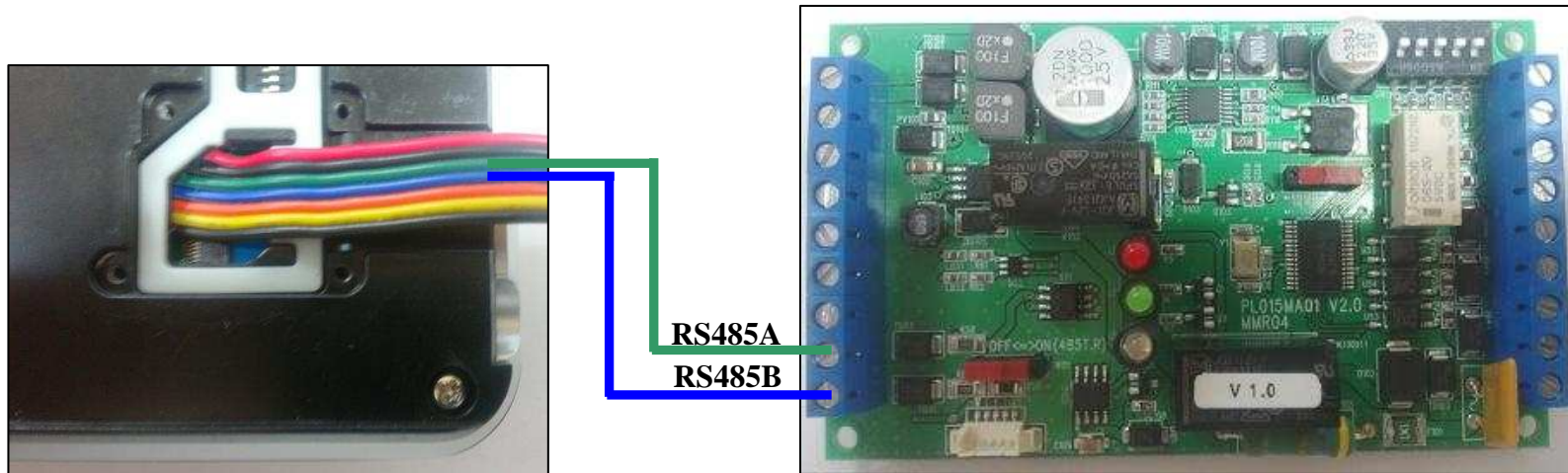
**J51 Battery IN / Input Port / Lock Control**

### 3. Schematic for Door Lock Interface



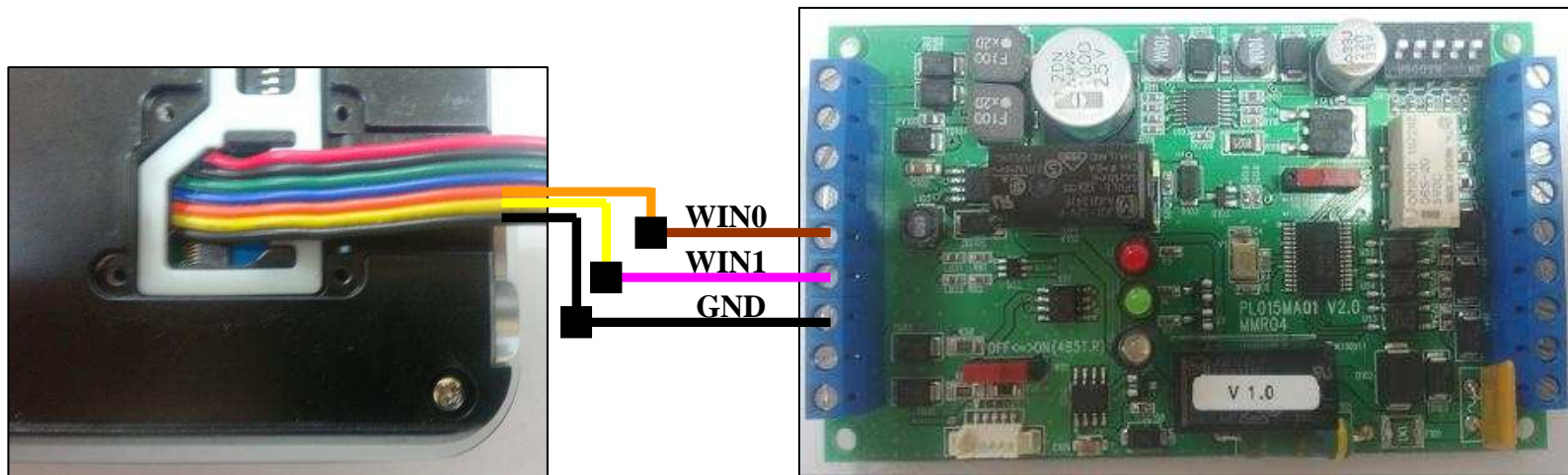
## 4. Connecting RS-485 Interface

### ◆ RS-485 Interface



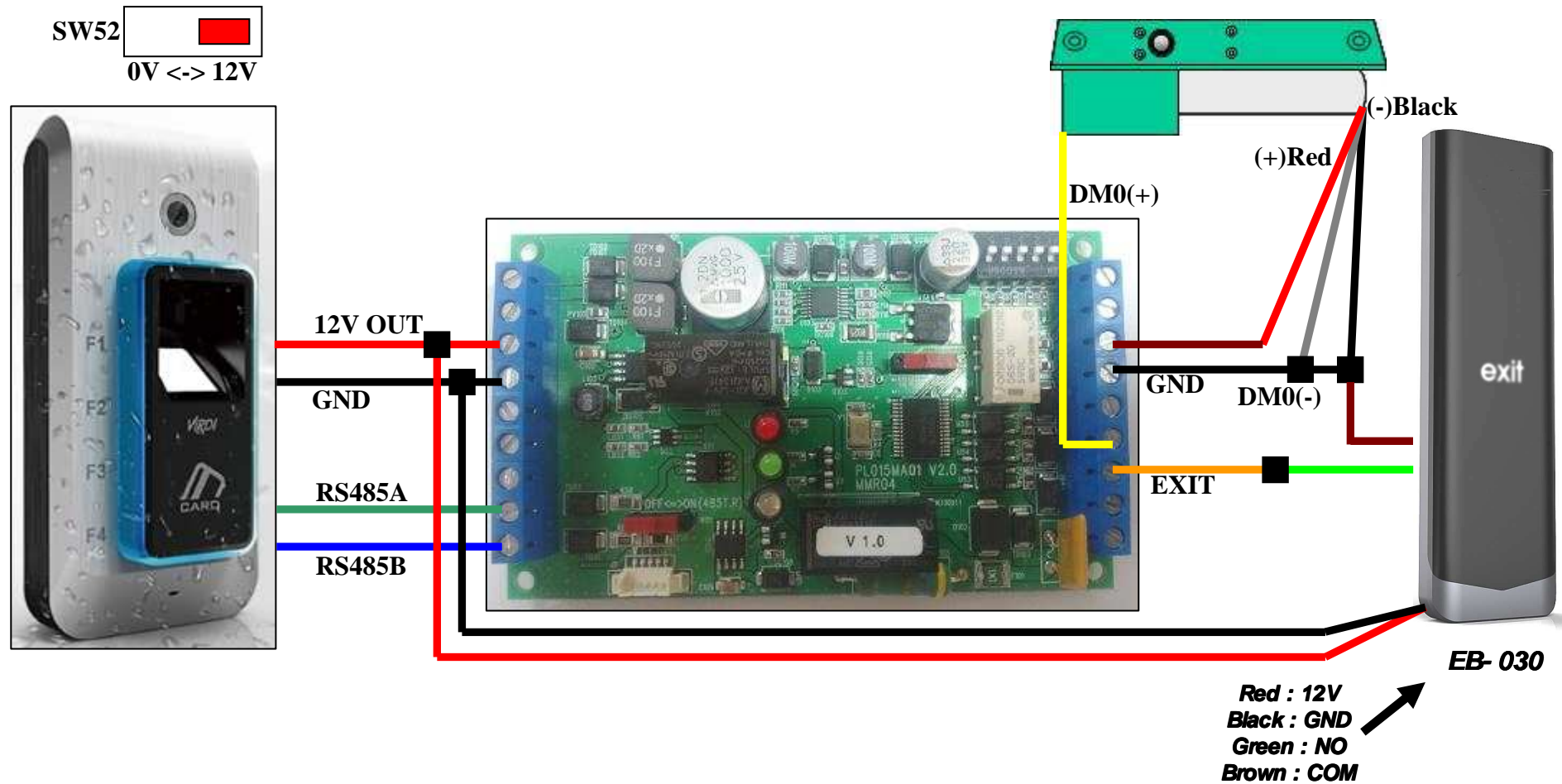
# 5. Connecting Wiegand Interface

## ◆ Wiegand Interface



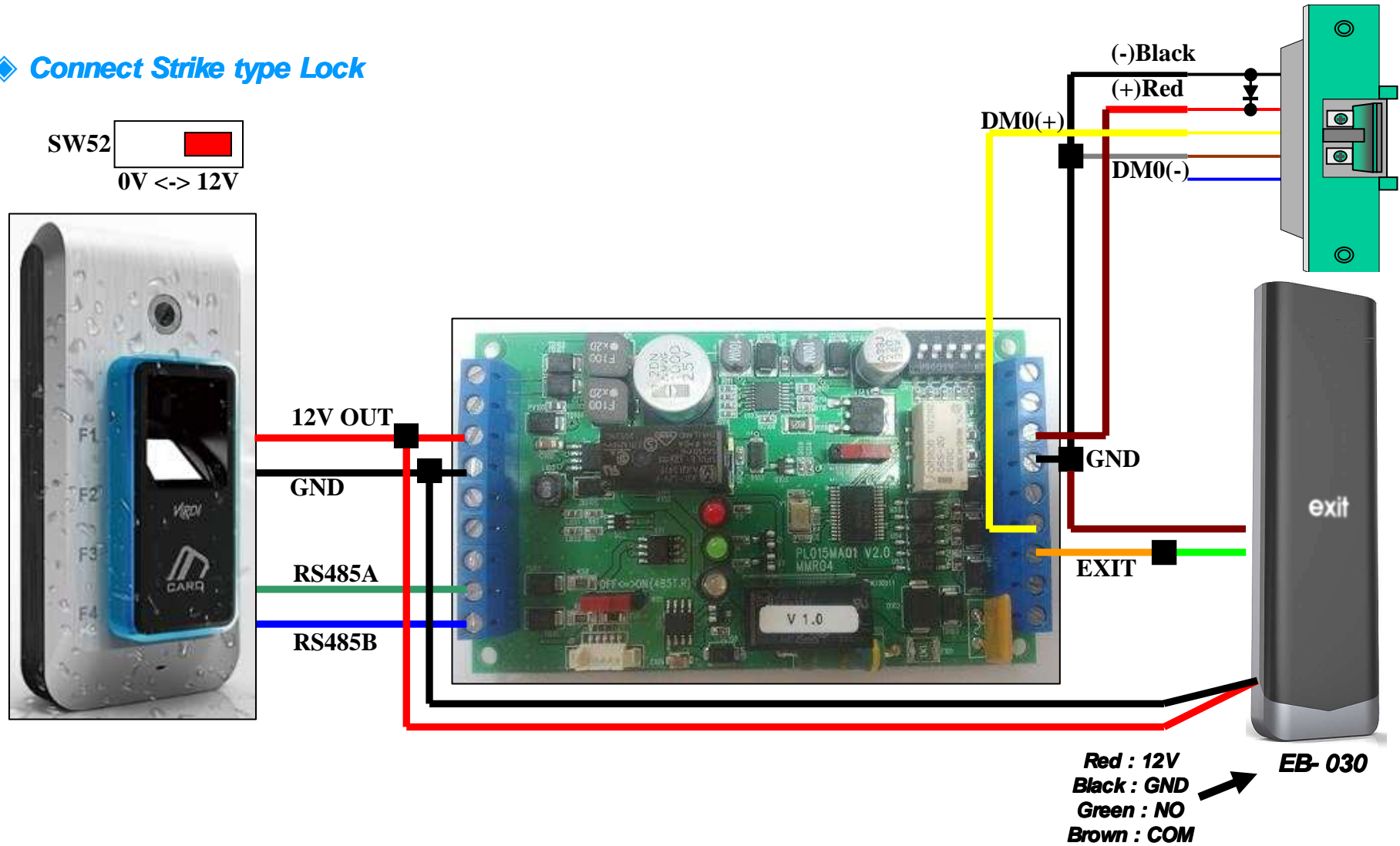
# 6. Connecting Dead-Bolt Type Door Lock (Fail Safe)

## ◆ Connect Dead- Bolt Lock



# 7. Connecting Strike Type Door Lock (Fail Safe)


## ◆ Connect Strike type Lock

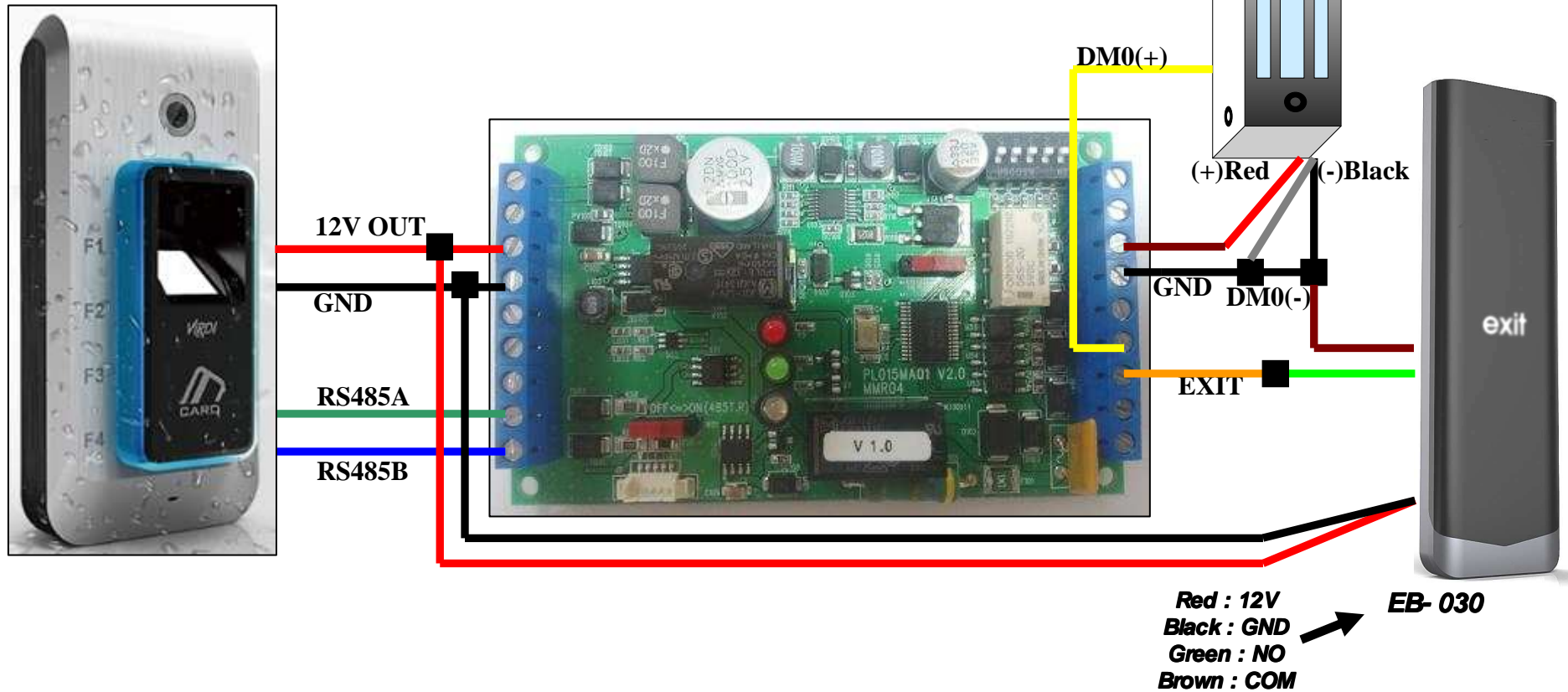




# 8. Connecting EM Type Door Lock (Fail Safe)


## ◆ Connect EM Lock

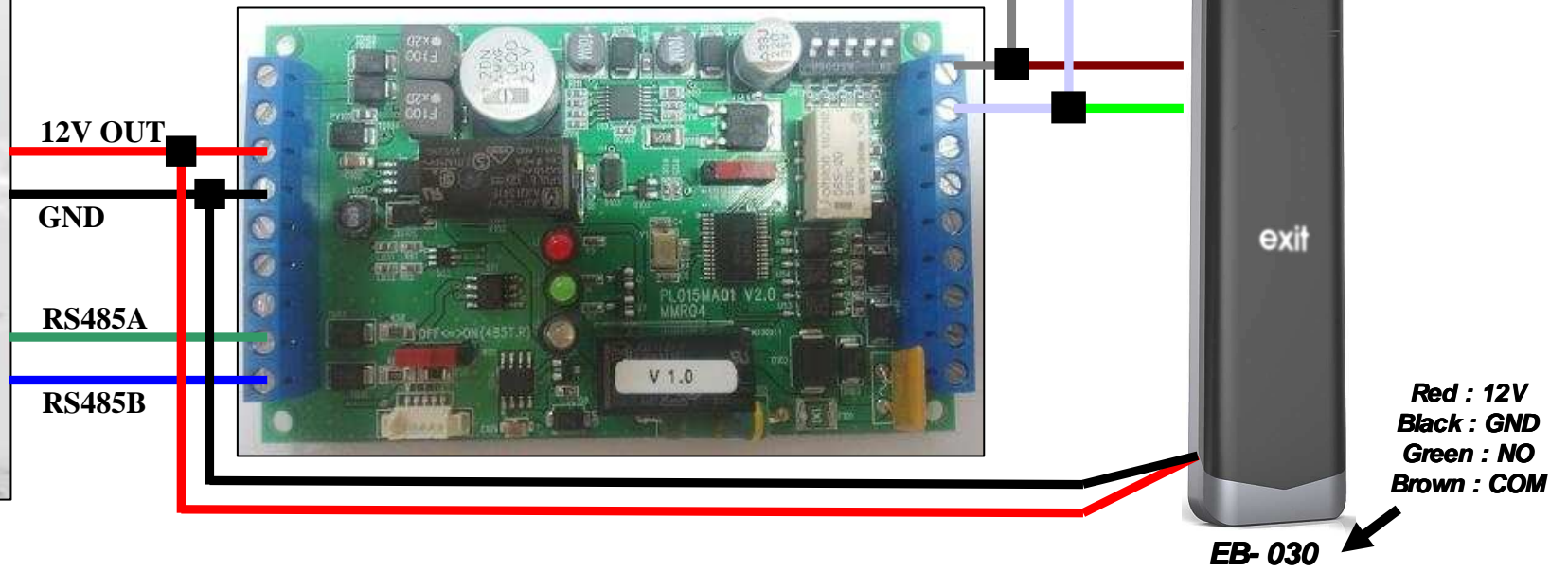
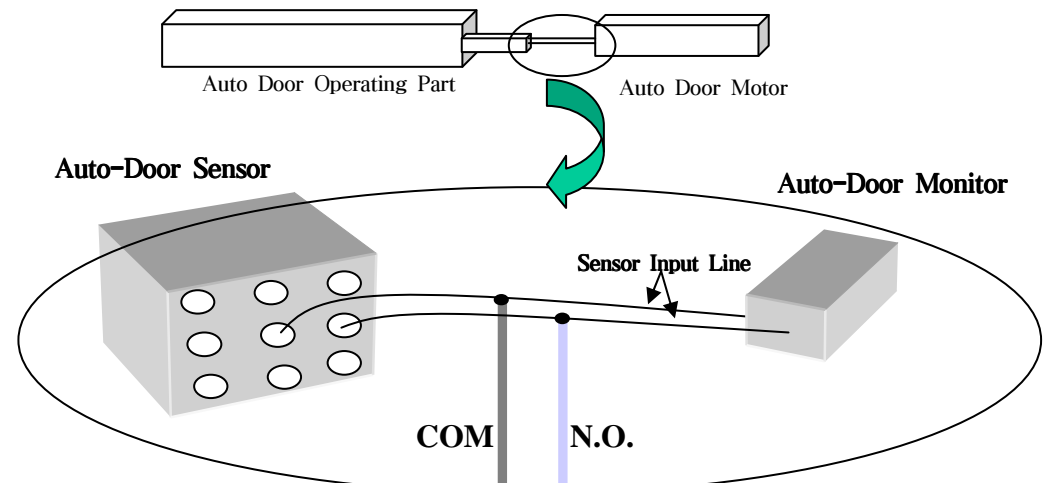
SW52   
0V <-> 12V



# 9. Connecting Auto-Door ( Contact Control )

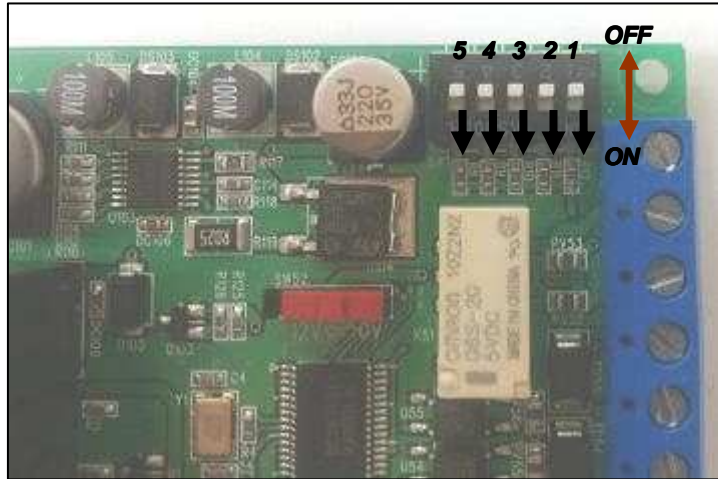
## ◆ Connect Auto-Door Lock

SW52   
0V <-> 12V



# 10. RS-485 ID & Open duration Setting

## ◆ SW1 Switch Feature



## ◆ RS-485 ID Setting

RS485 ID	SW1	
	1	2
0	OFF	OFF
1	OFF	ON
2	ON	OFF
3	ON	ON

## ◆ Lock Open Duration Setting

Open Time (sec)	SW1		
	3	4	5
0.2	OFF	OFF	OFF
0.5	OFF	OFF	ON
1	OFF	ON	OFF
1.5	OFF	ON	ON
2	ON	OFF	OFF
3	ON	OFF	ON
4	ON	ON	OFF
5	ON	ON	ON