

# ***Installation Guide for AC-7000 V1.0***

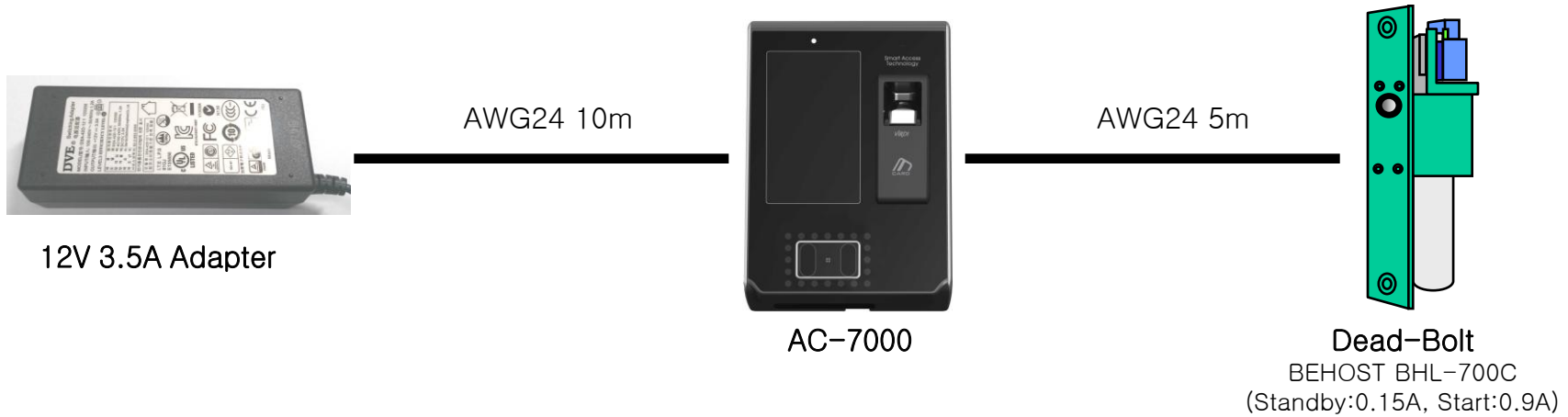
## ***Face Recognition Terminal***



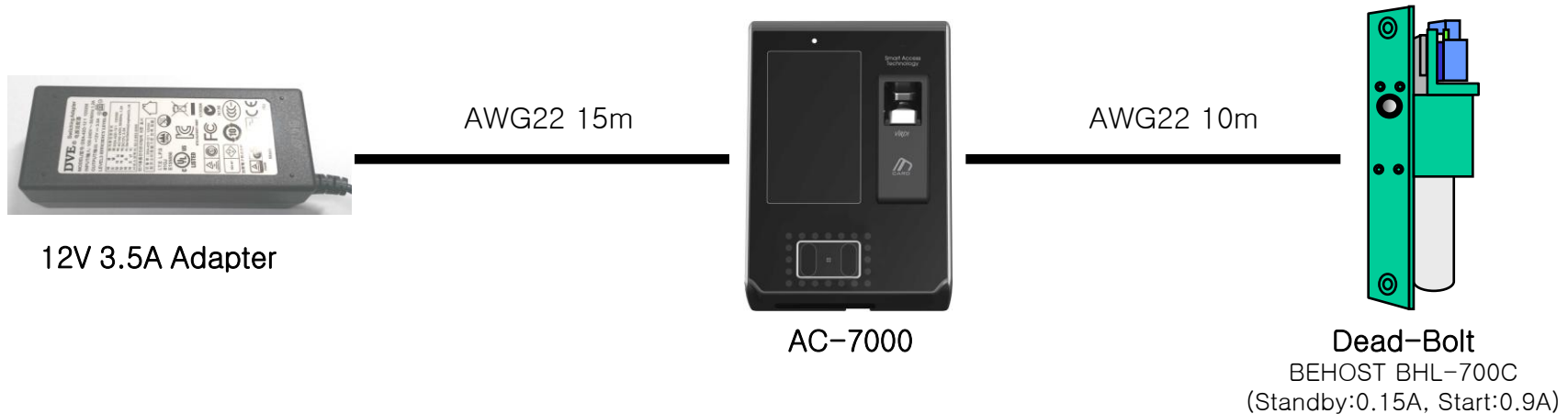
*Doc Ver1.2*  
*Dec.,24.2014*  
*R&D Center*  
***Union Community Co., Ltd.***

# 1. The maximum cable length & thickness for installation

## 1) Using 12V 3.5A Power Supply & AWG24



## 2) Using 12V 3.5A Power Supply & AWG22



\* Caution: The data is the value when using the adapter and the dead-bolt supplied by the Union Community.

# 1. The maximum cable length & thickness for installation

## 3) Using 15V 4A Power Supply & AWG24



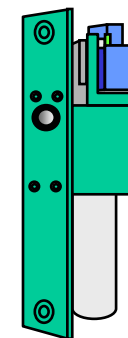
15V 4A Adapter

AWG24 15m



AC-7000

AWG24 10m



Dead-Bolt  
BEHOST BHL-700C  
(Standby:0.15A, Start:0.9A)

## 4) Using 15V 4A Power Supply & AWG22



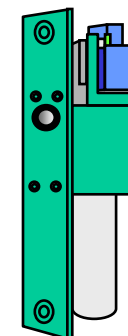
15V 4A Adapter

AWG22 30m



AC-7000

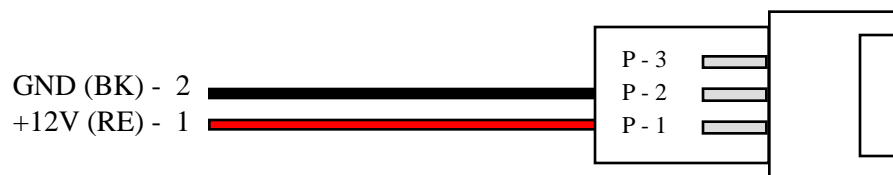
AWG22 20m



Dead-Bolt  
BEHOST BHL-700C  
(Standby:0.15A, Start:0.9A)

- \* Caution: 1. The data is the value when using the adapter and the dead-bolt supplied by the Union Community.
- 2. If using another dead-bolt, you should ensure that the dead-bolt works well with 15V power supply

## 2. Description of External Cables



Power Adapter Cable



Wiegand Cable (5P)



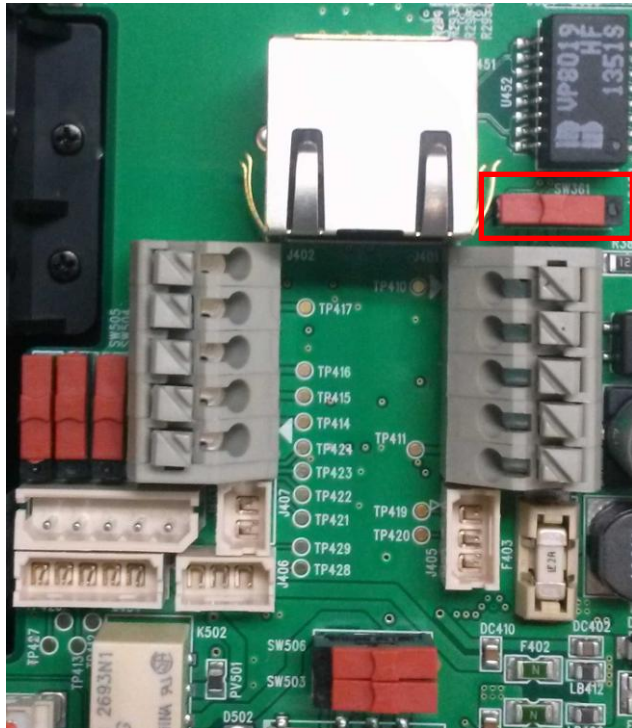
RS232 Cable (3P)



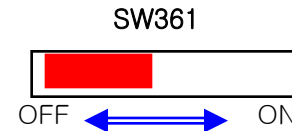
Lock Status Cable (5P)



# 4. Resistor Setting for RS485 End Termination

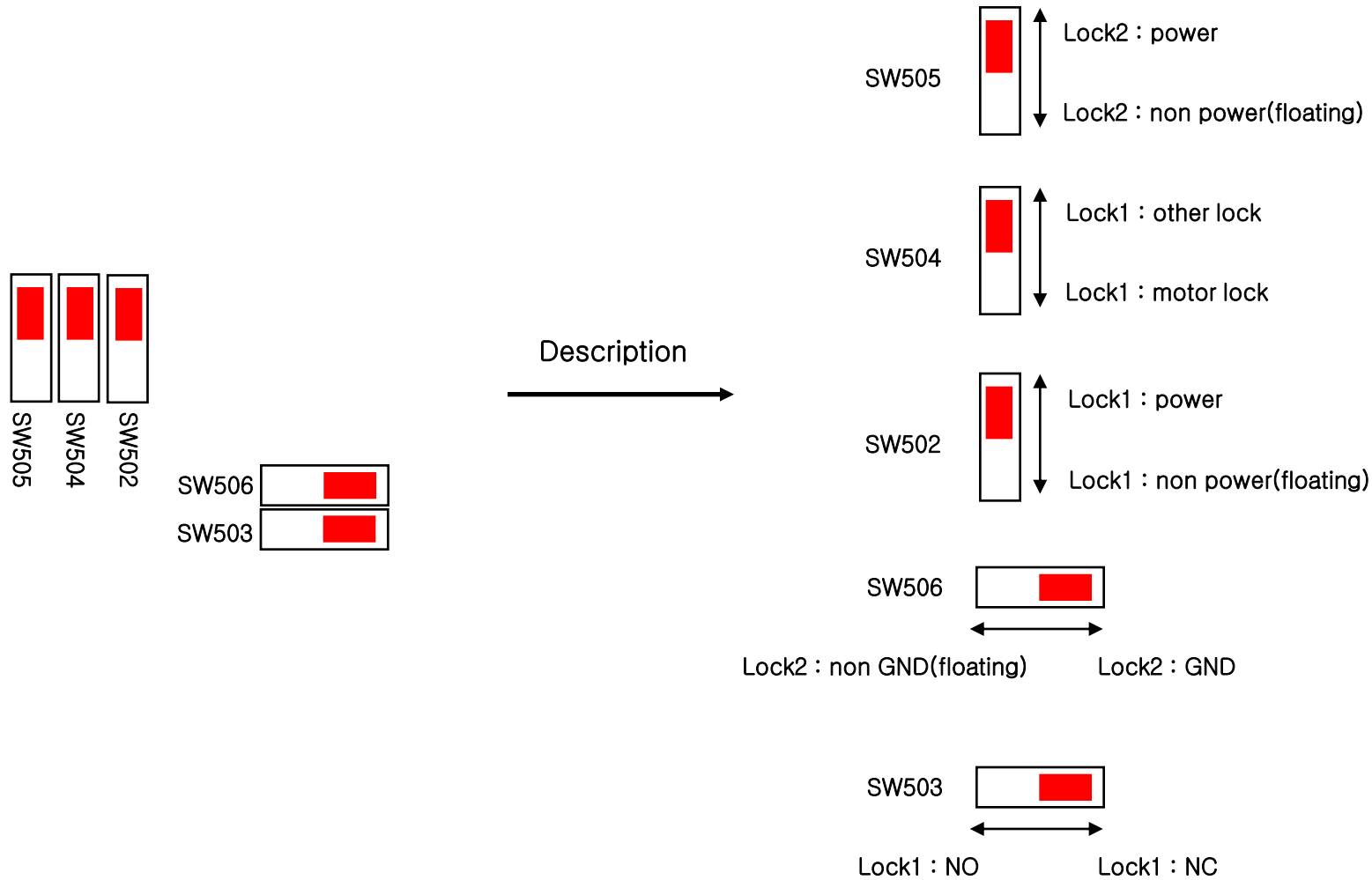


SW361



- \* Default Setting is off.
- \* ON: 120 Ohm Resistor is connected between 485A and 485B

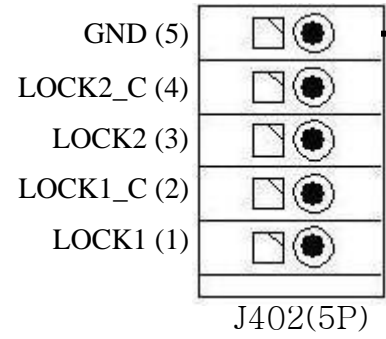
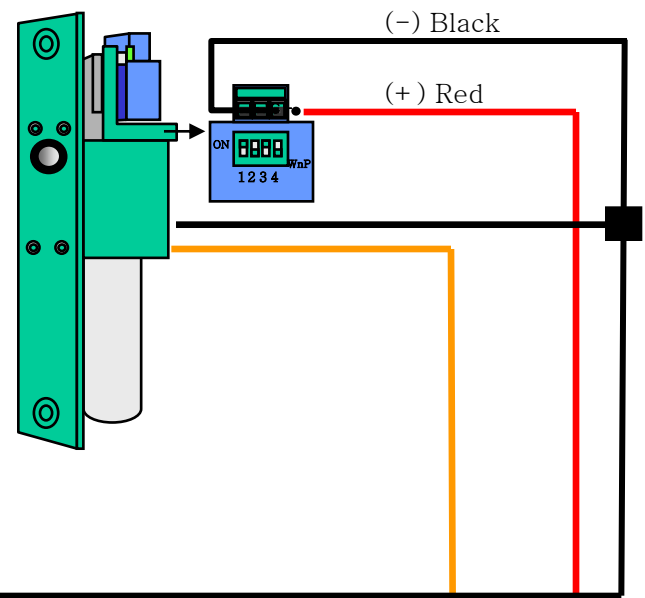
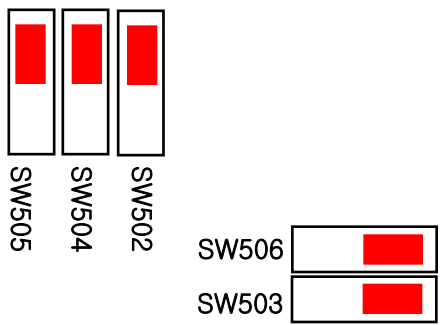
# 5. Description of the switch for setting lock



# 6. Connecting a Dead-Bolt Type Door Lock (Fail Safe)

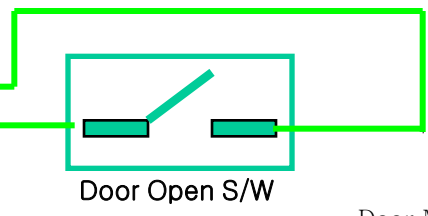
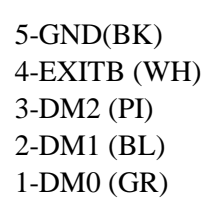
## 6.1. Connecting One System/ One Lock

Lock Type Select S/W



Lock (-)

Lock (+)

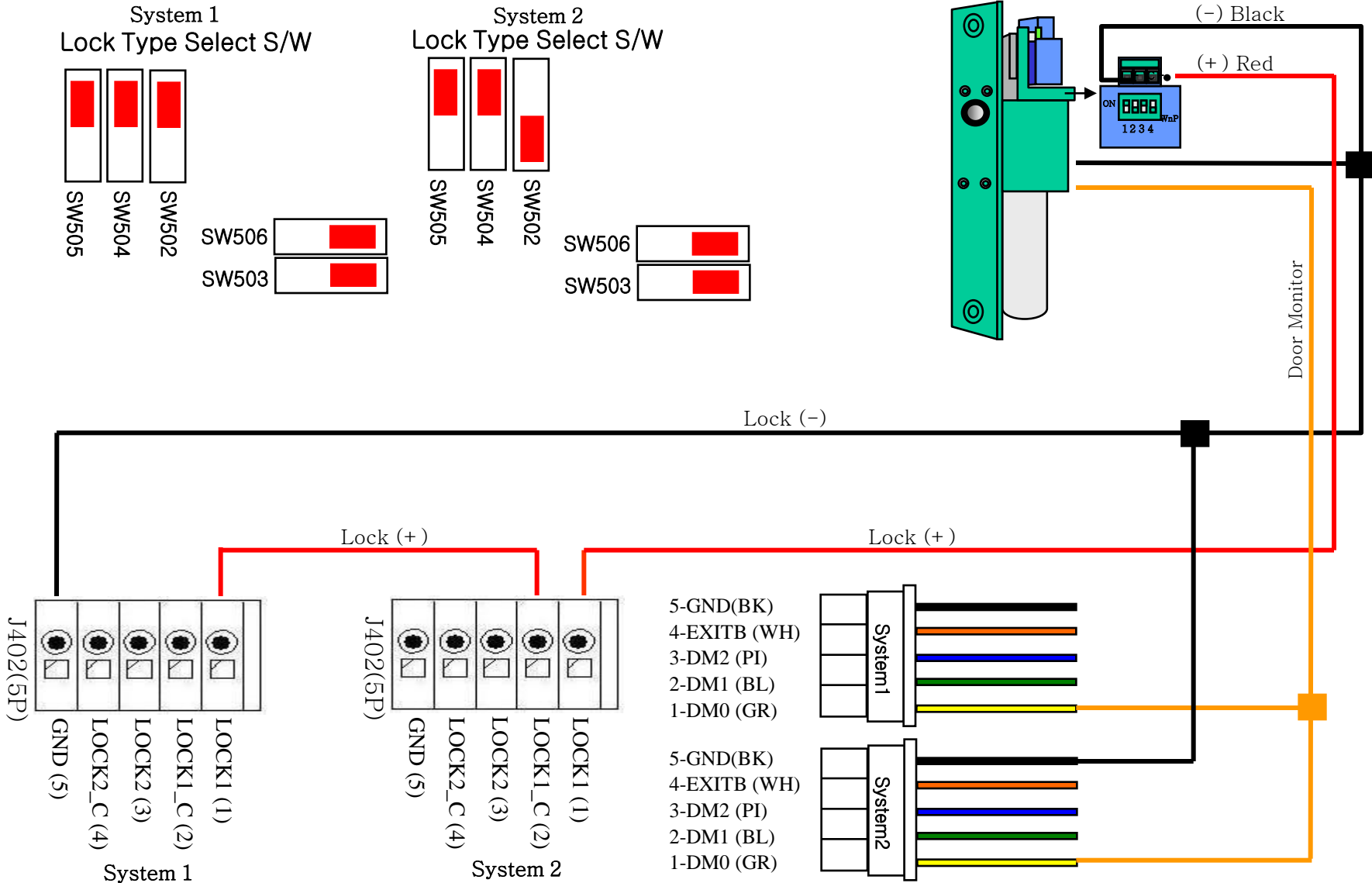


Door Monitor



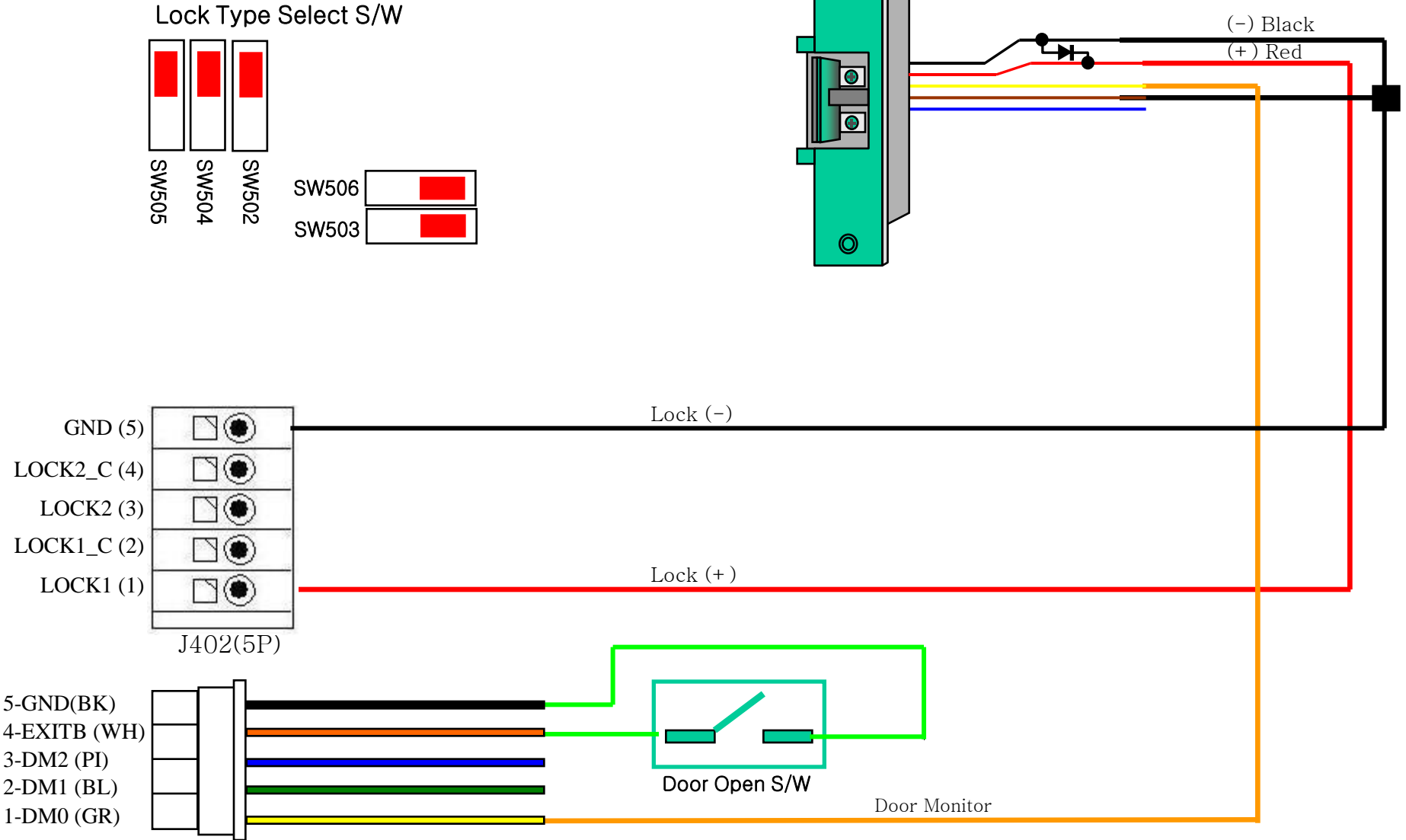
# 6. Connecting a Dead-Bolt Type Door Lock (Fail Safe)

## 6.2. Connecting Two Systems/ One Lock



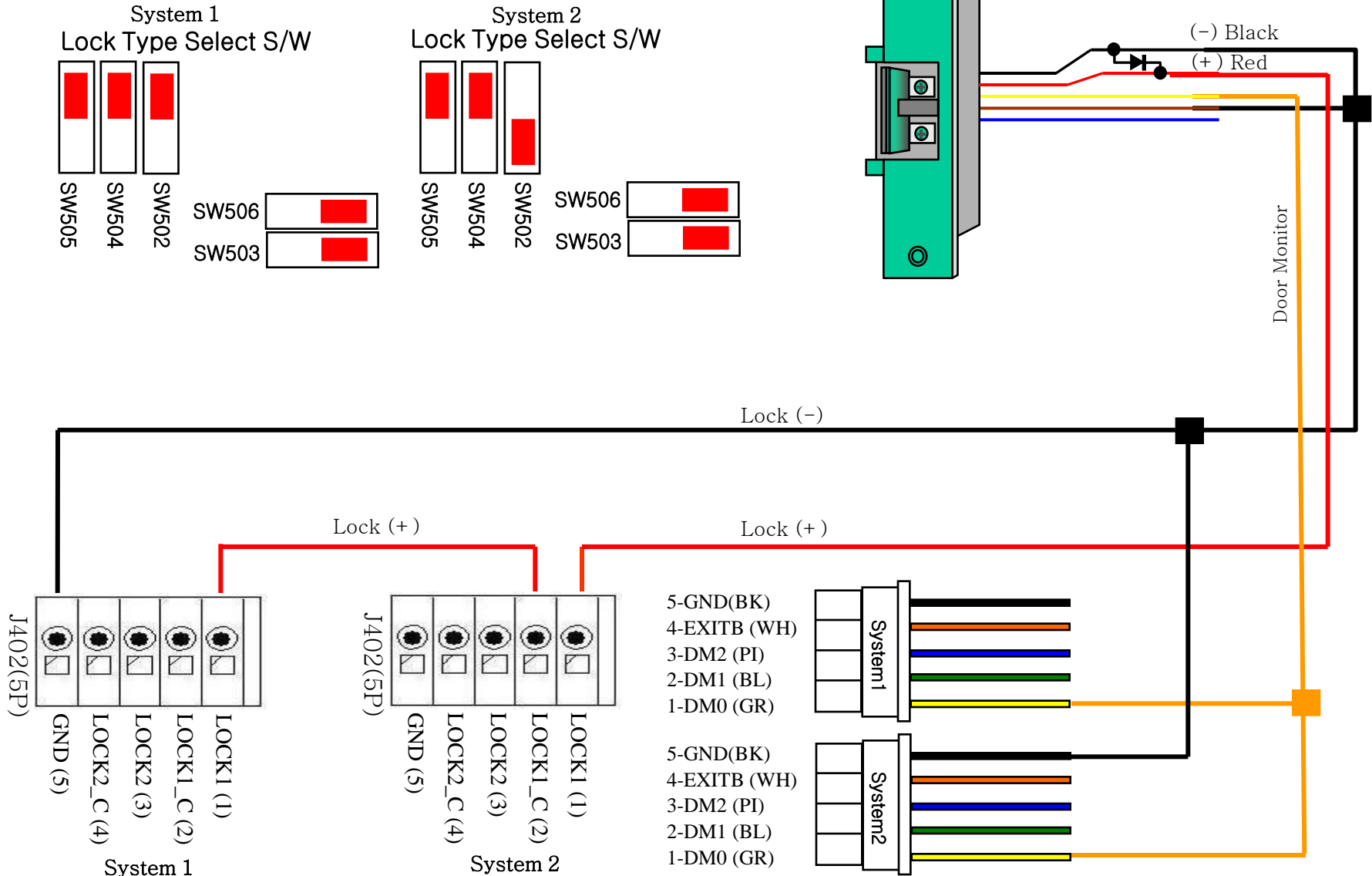
# 7. Connecting a Strike Type Door Lock (Fail Safe)

## 7.1. Connecting One System/ One Lock



# 7. Connecting a Strike Type Door Lock (Fail Safe)

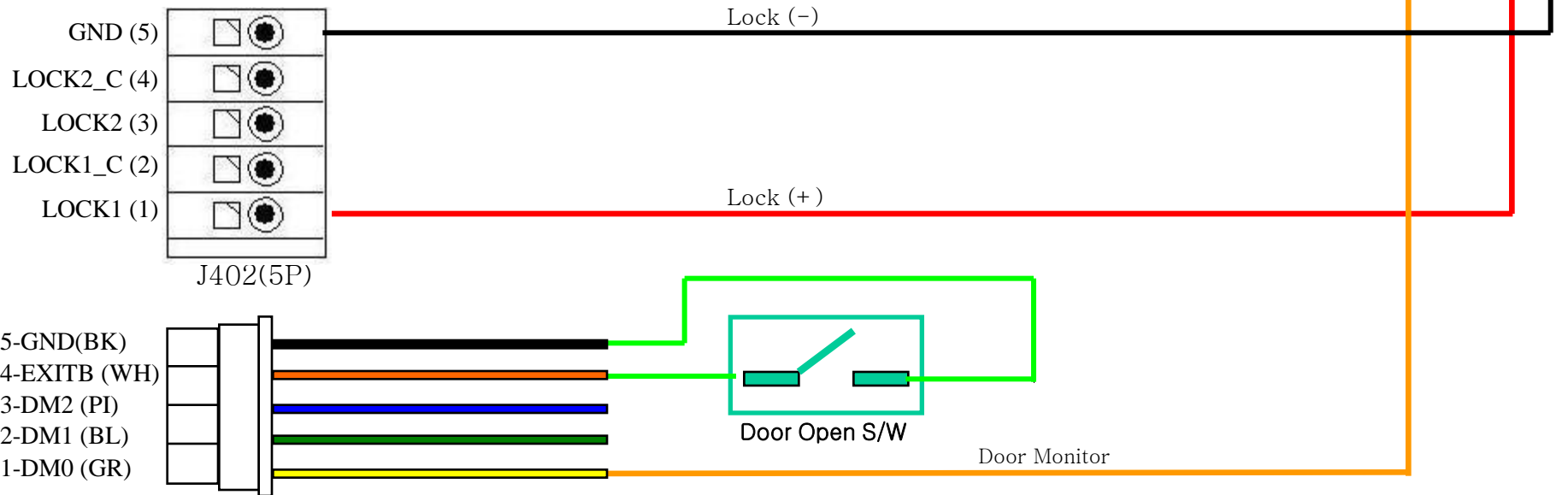
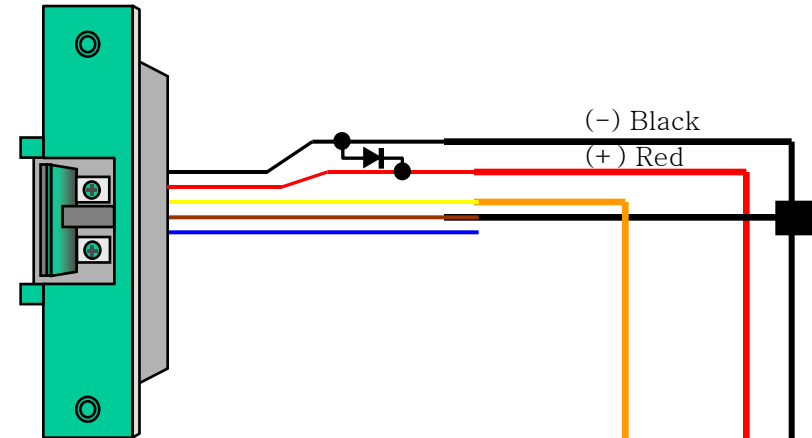
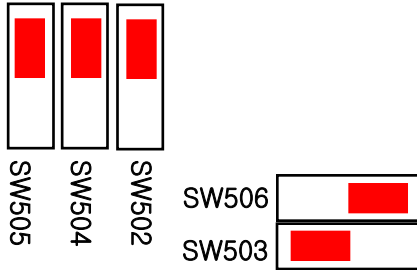
## 7.2. Connecting Two Systems/ One Lock



# 8. Connecting a Strike Type Door Lock (Fail Secure)

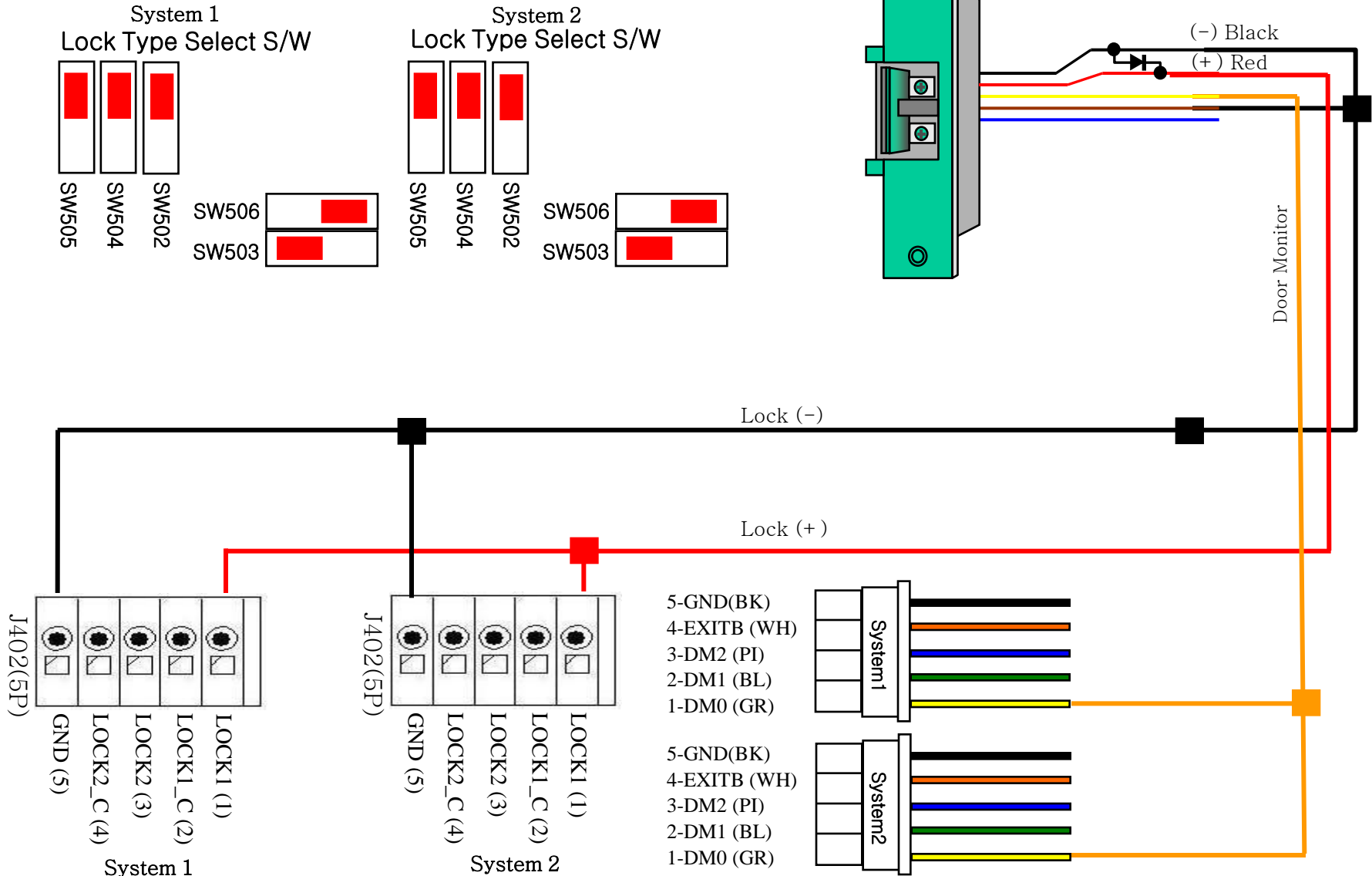
## 8.1. Connecting One System/ One Lock

Lock Type Select S/W



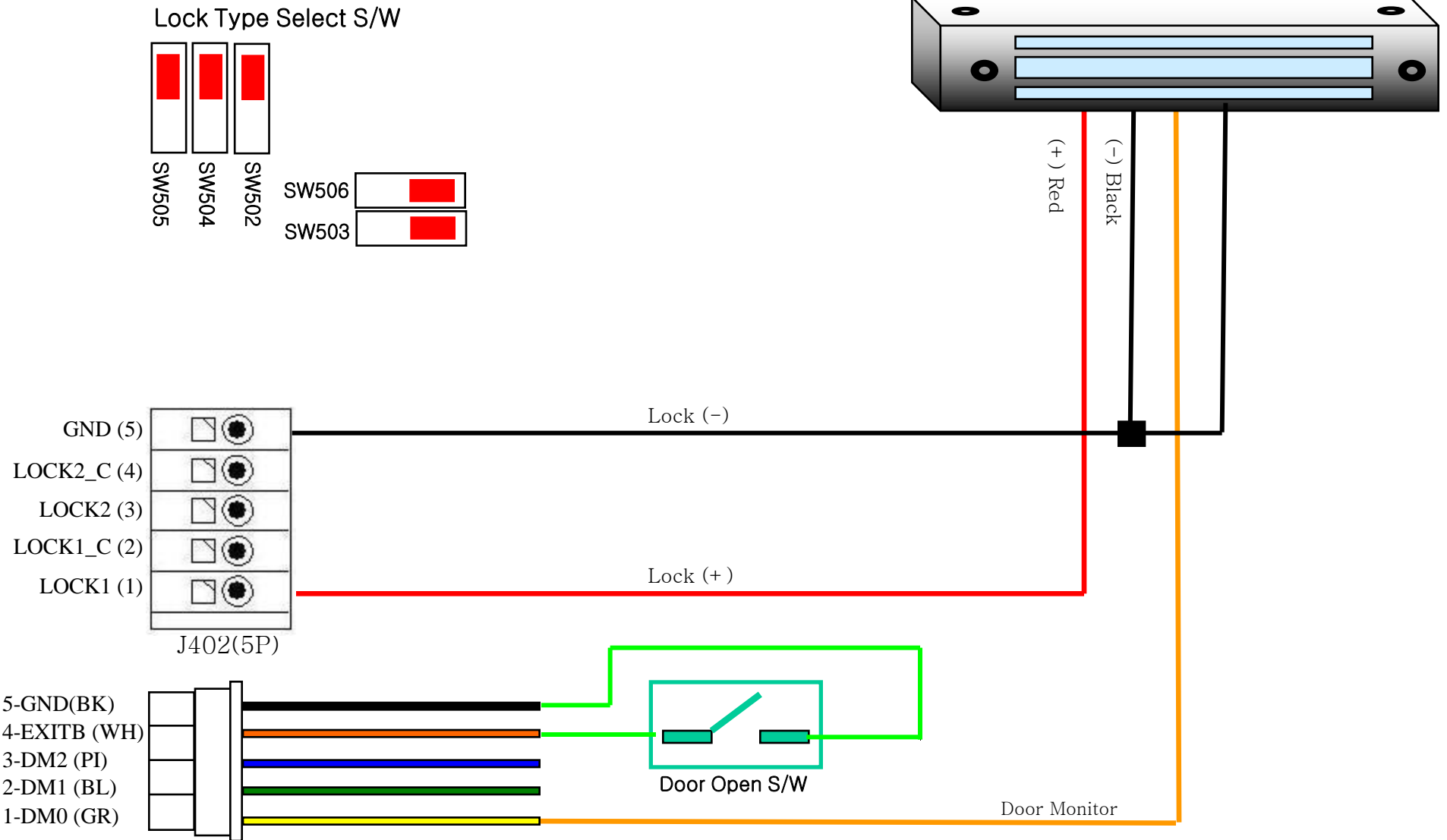
# 8. Connecting a Strike Type Door Lock (Fail Secure)

## 8.2. Connecting Two Systems/ One Lock



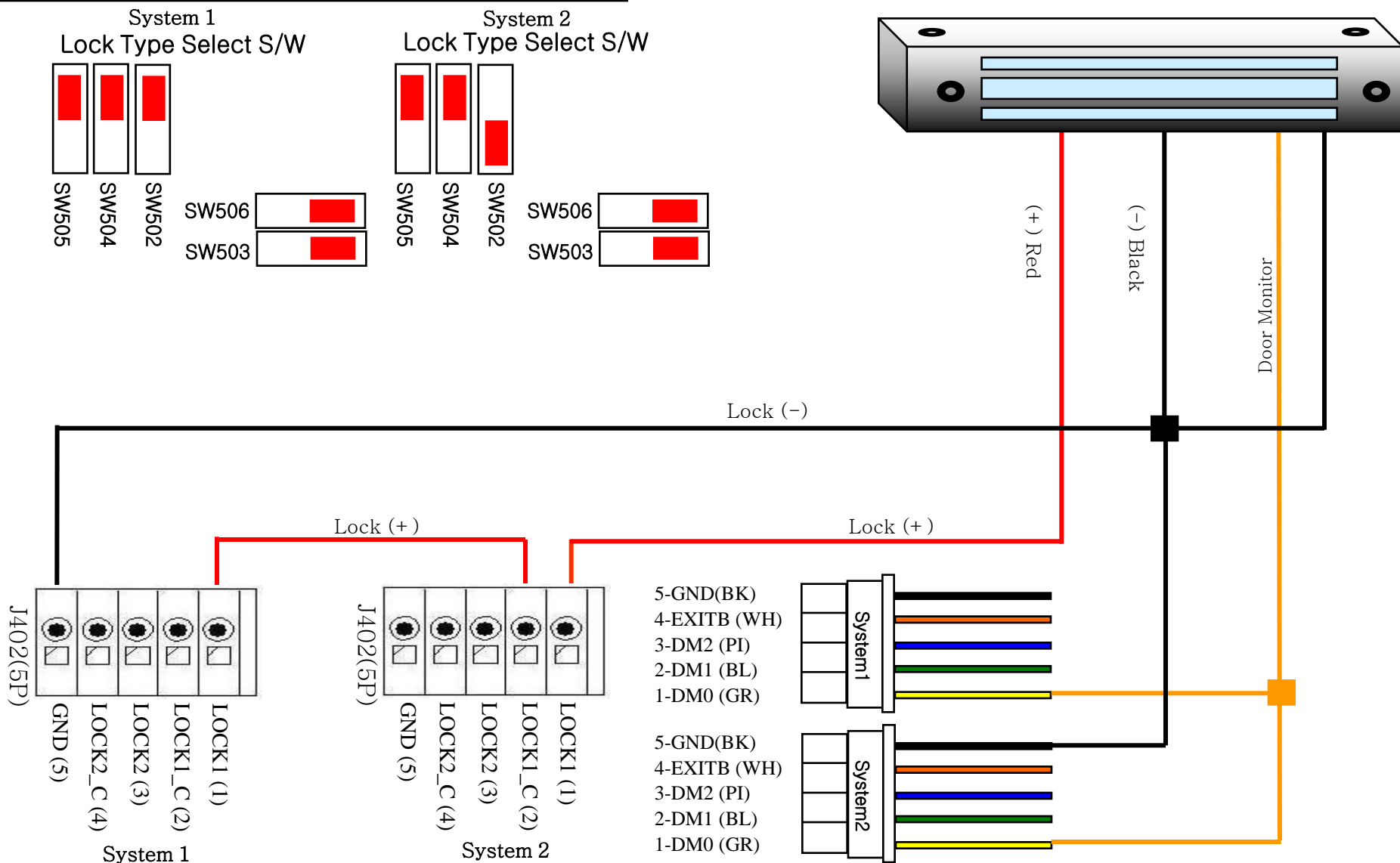
# 9. Connecting an EM Type Door Lock (Fail Safe)

## 9.1. Connecting One System/ One Lock



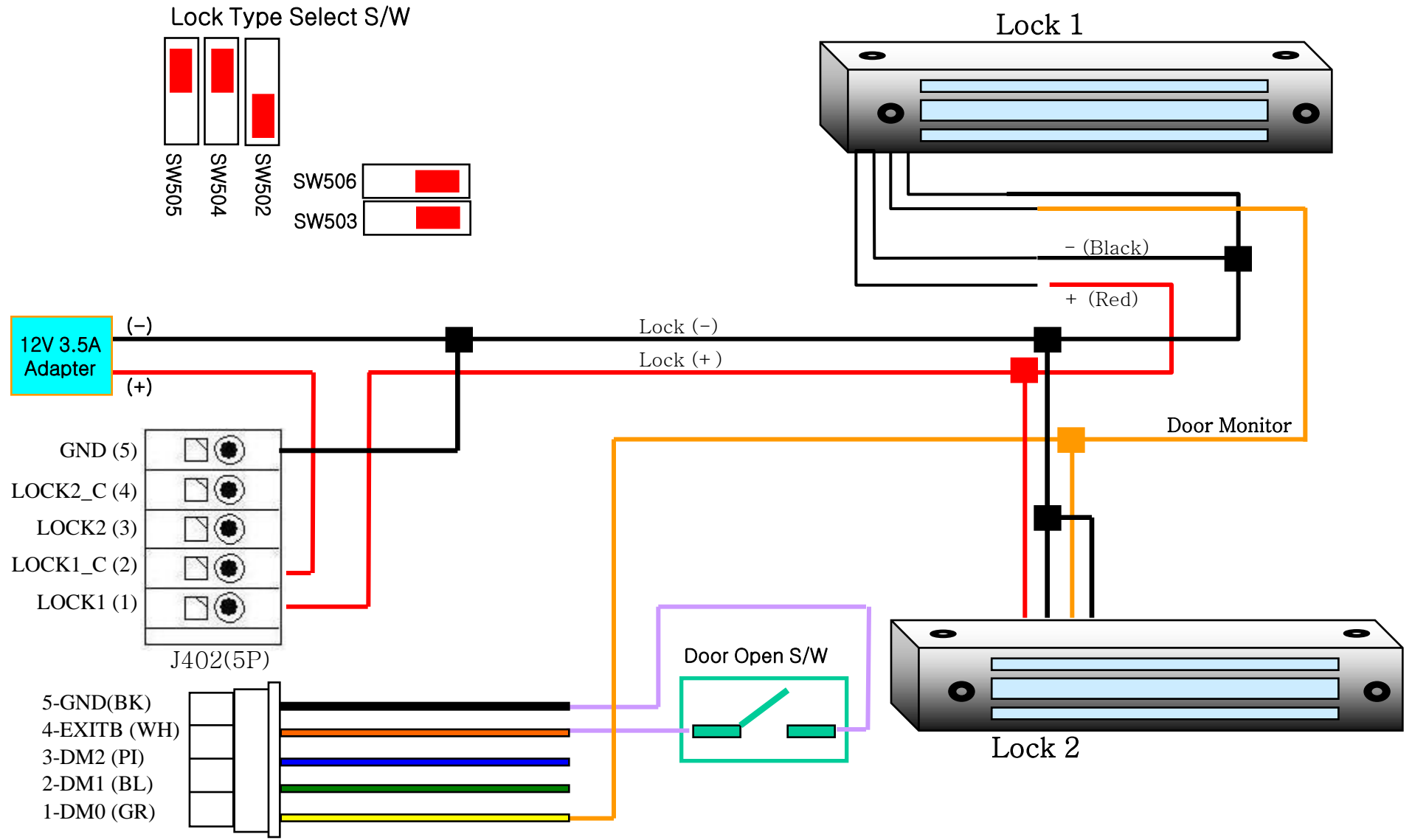
# 9. Connecting an EM Type Door Lock (Fail Safe)

## 9.2. Connecting Two Systems/ One Lock



# 9. Connecting an EM Type Door Lock (Fail Safe)

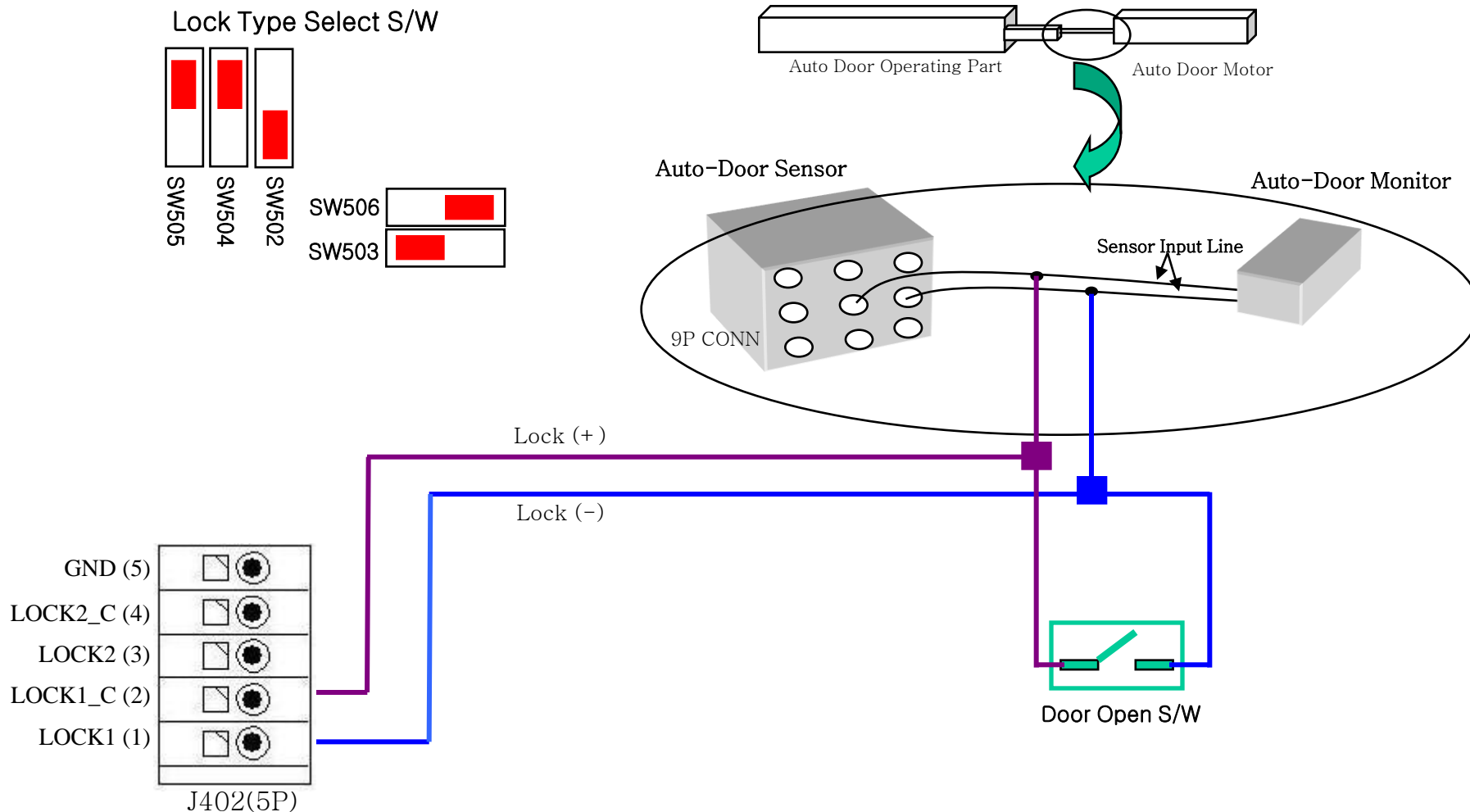
## 9.3. Connecting One System/ Two Locks “ Use external DC Power adapter”





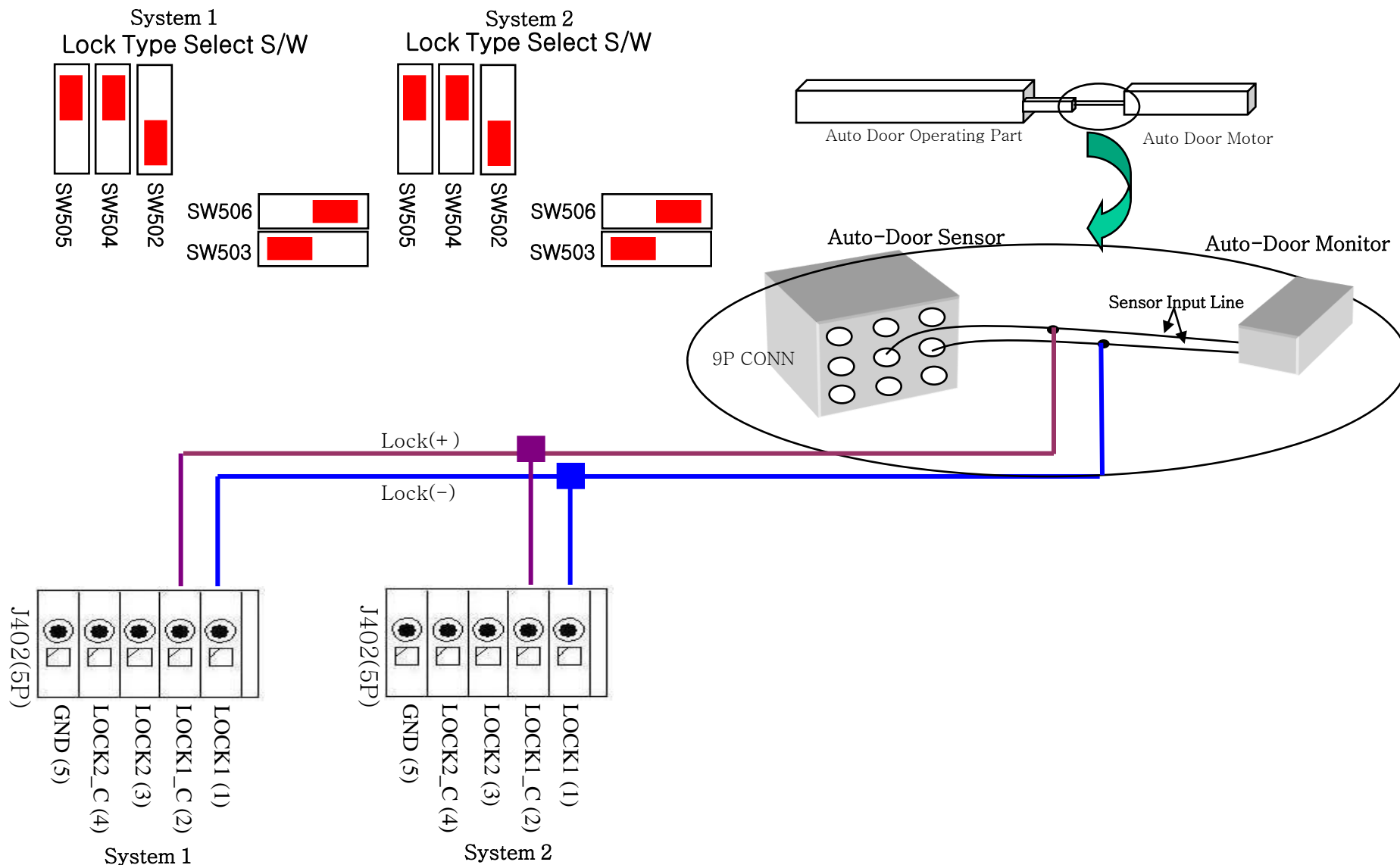
# 10. Connecting Auto-Door (Contact Control)

## 10.1. Connecting One System/ One Door

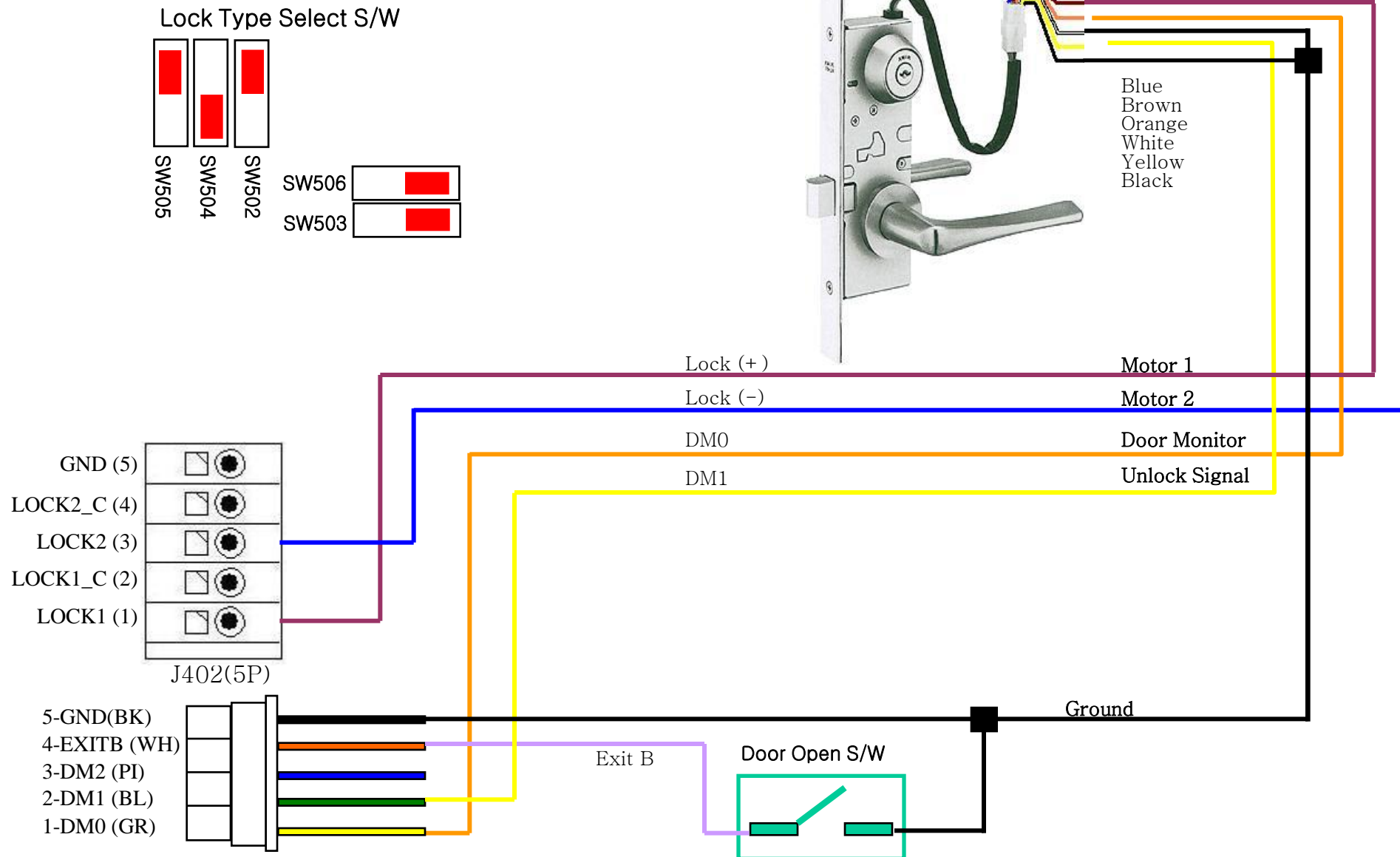


# 10. Connecting Auto-Door (Contact Control)

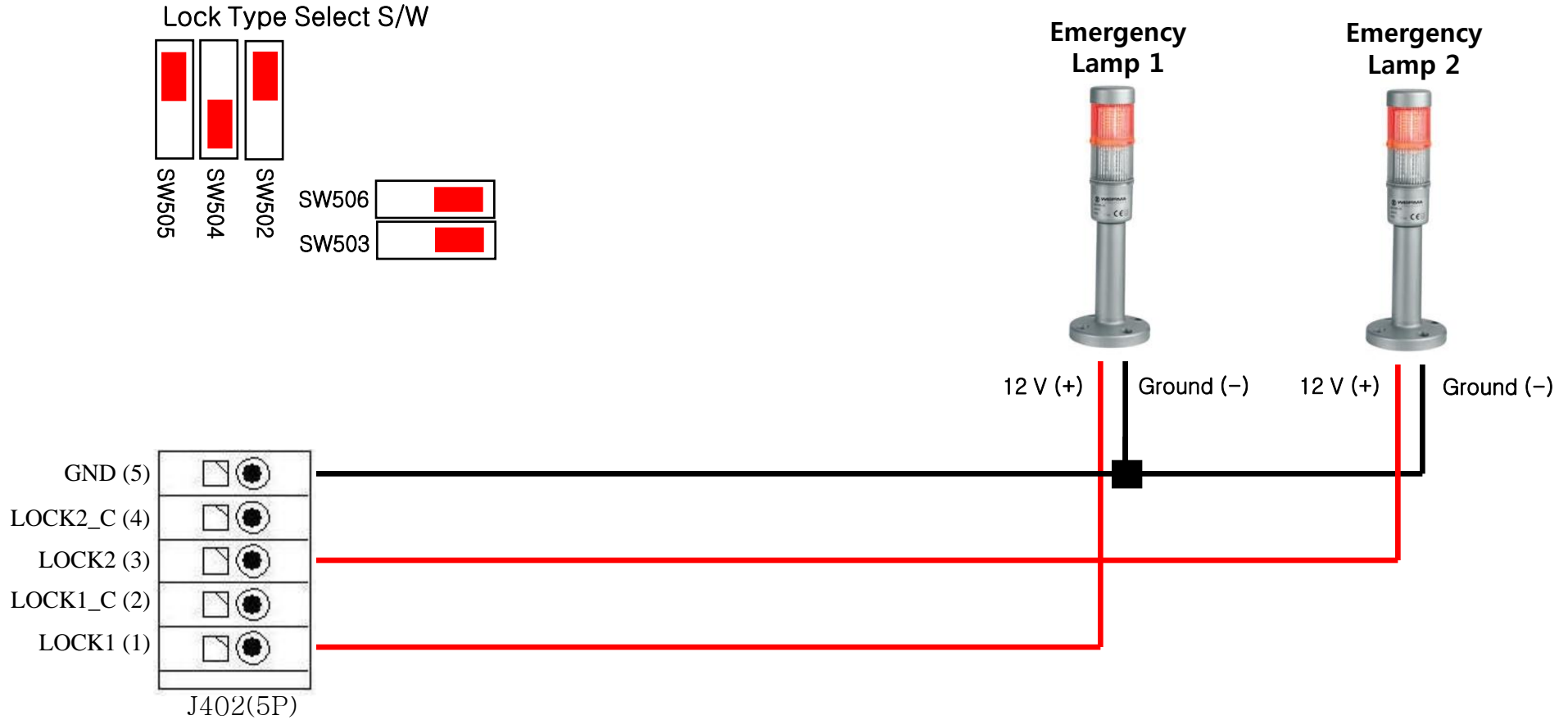
## 10.2. Connecting Two Systems/ One Door



# 11. Connecting a Motorised Lock



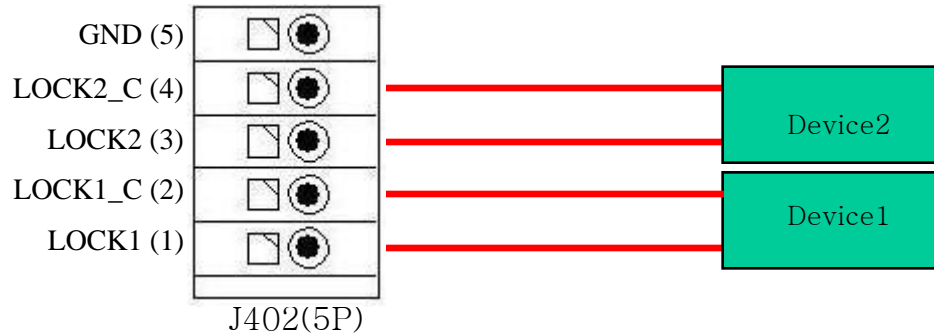
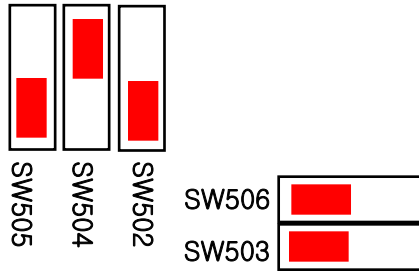
# 12. Connecting Two Emergency Lamps



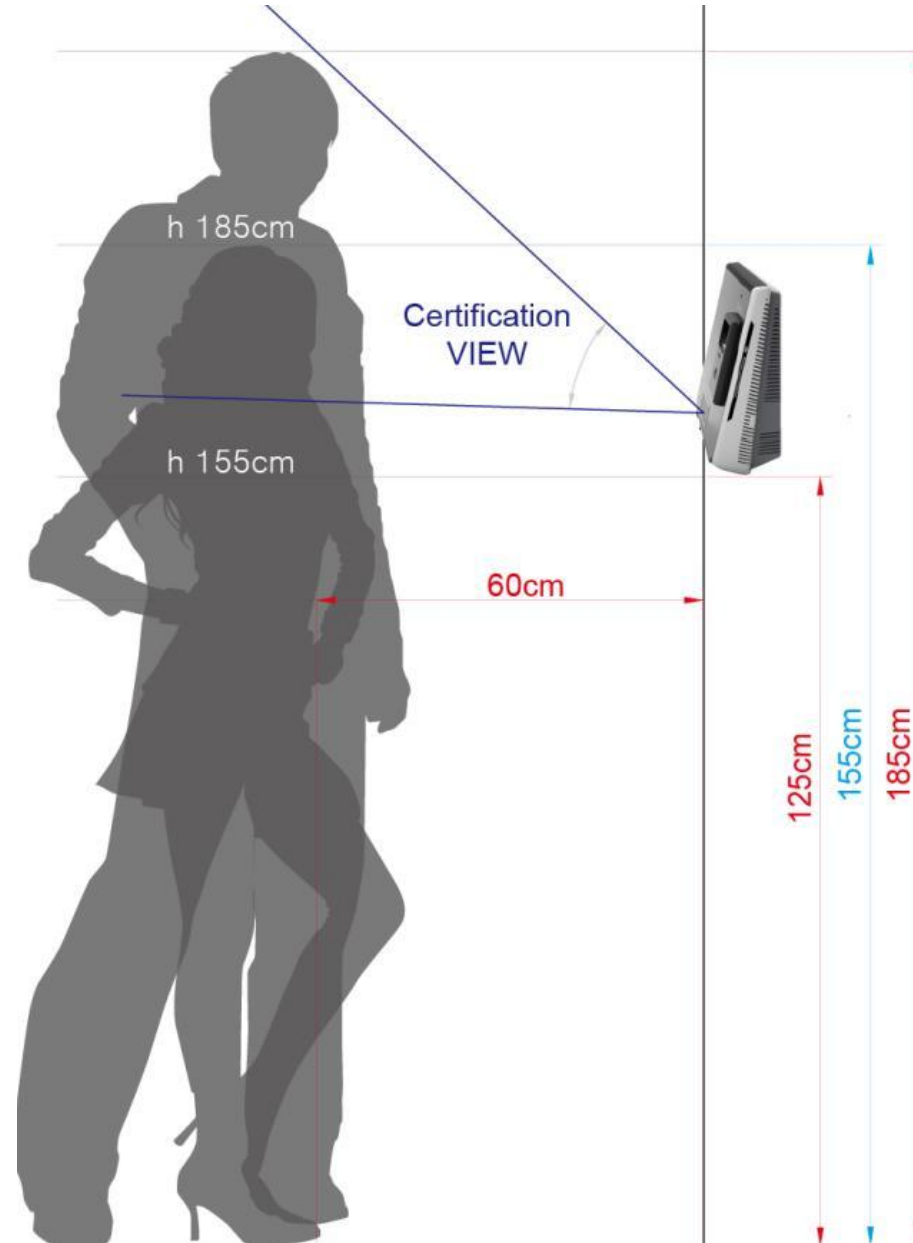
# 13. Connecting Two Non-powered contacts

Normally Open Type

Lock Type Select S/W



# \*\* Recommend installation guide



\*\* 190cm 이상은 앞으로 약간 숙여 인증