

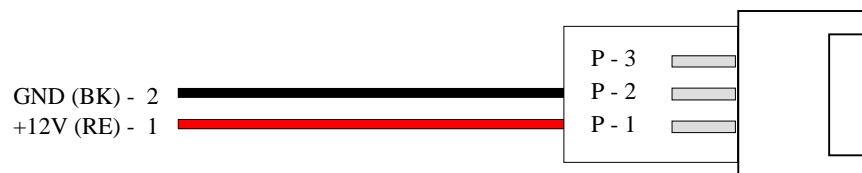
# ***Installation Guide for AC-5000 V3.0***

## ***Fingerprint Identification Terminal***



*Doc Ver1.1*  
*OCT.,28.2016*  
*R&D Center*  
***Union Community Co., Ltd.***

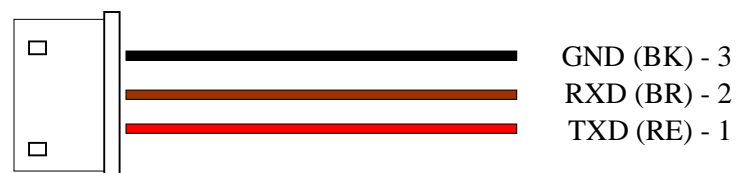
# 1. Description of External Cables



Power Adapter Cable

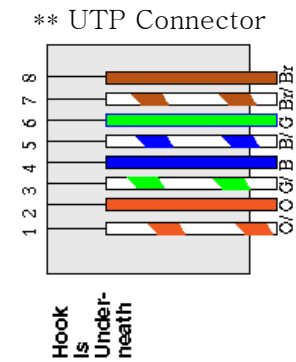
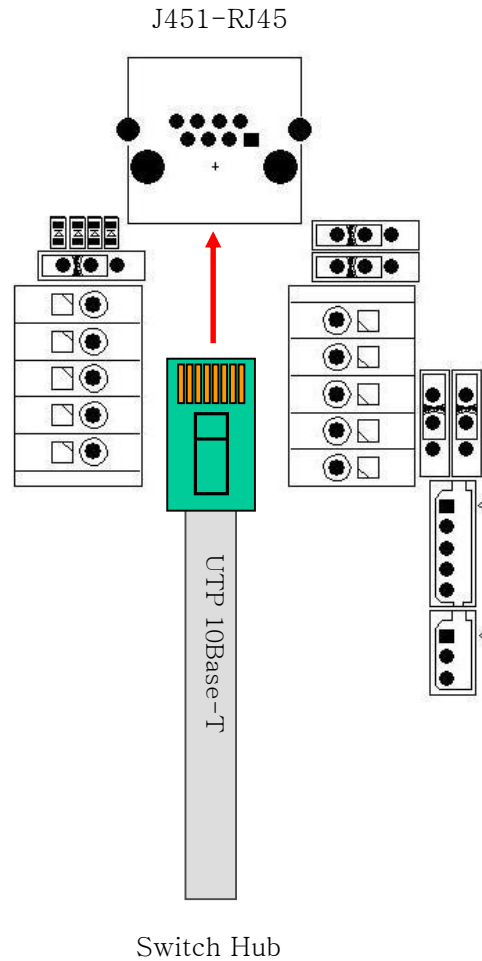


Wiegand Cable (5P)

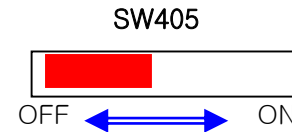
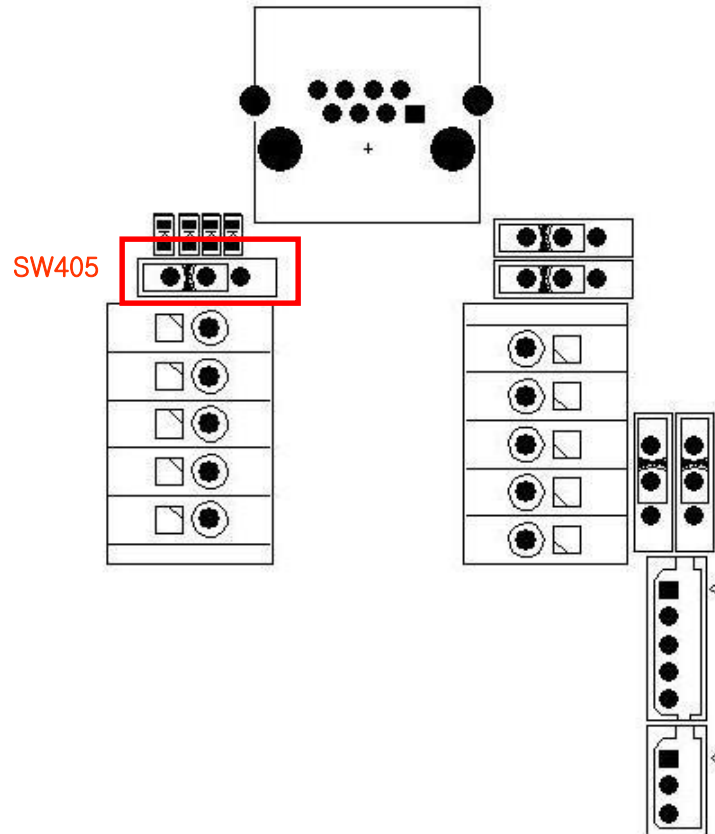


RS232 Cable (3P)

## 2. Connecting Ethernet (LAN) Cable

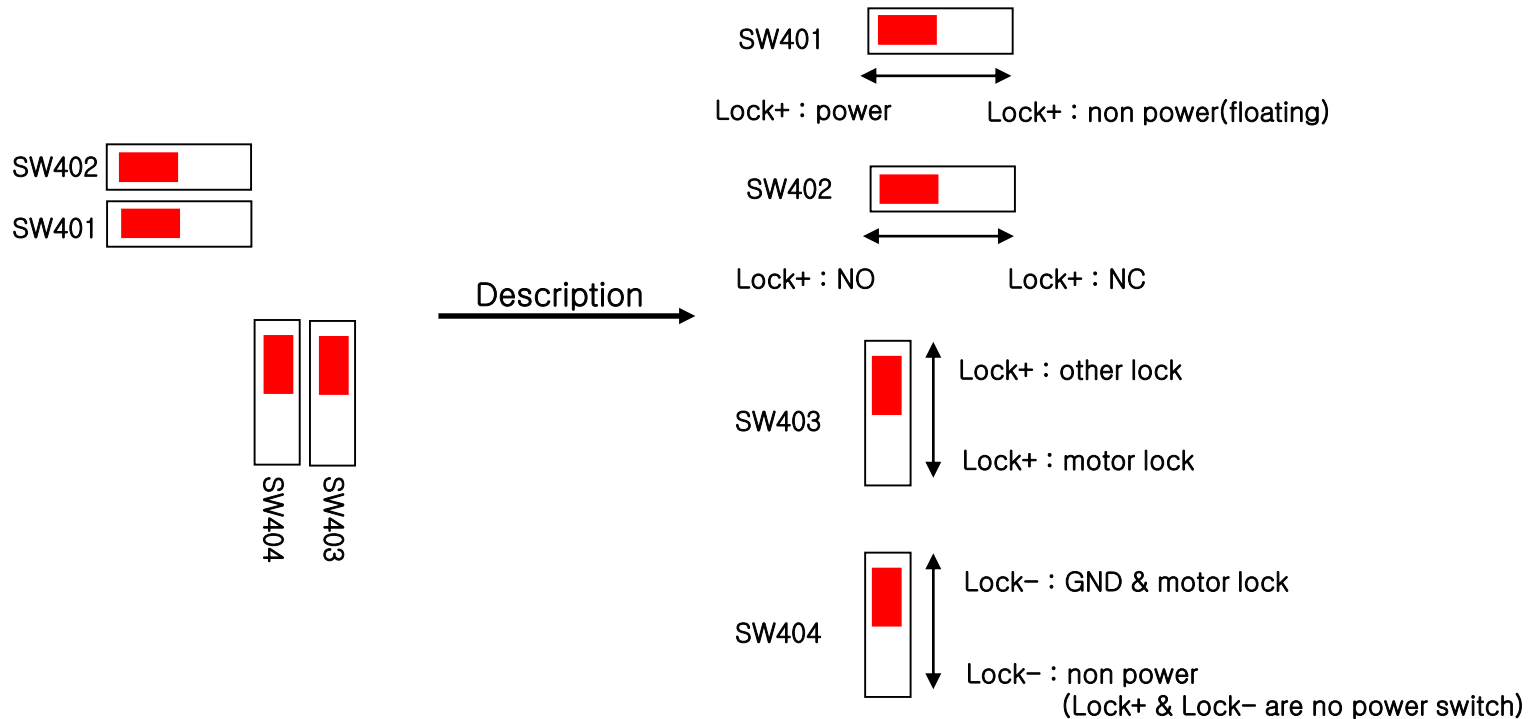


### 3. Resistor Setting for RS485 End Termination



- \* Default Setting is off.
- \* ON: 120 Ohm Resistor is connected between 485A and 485B

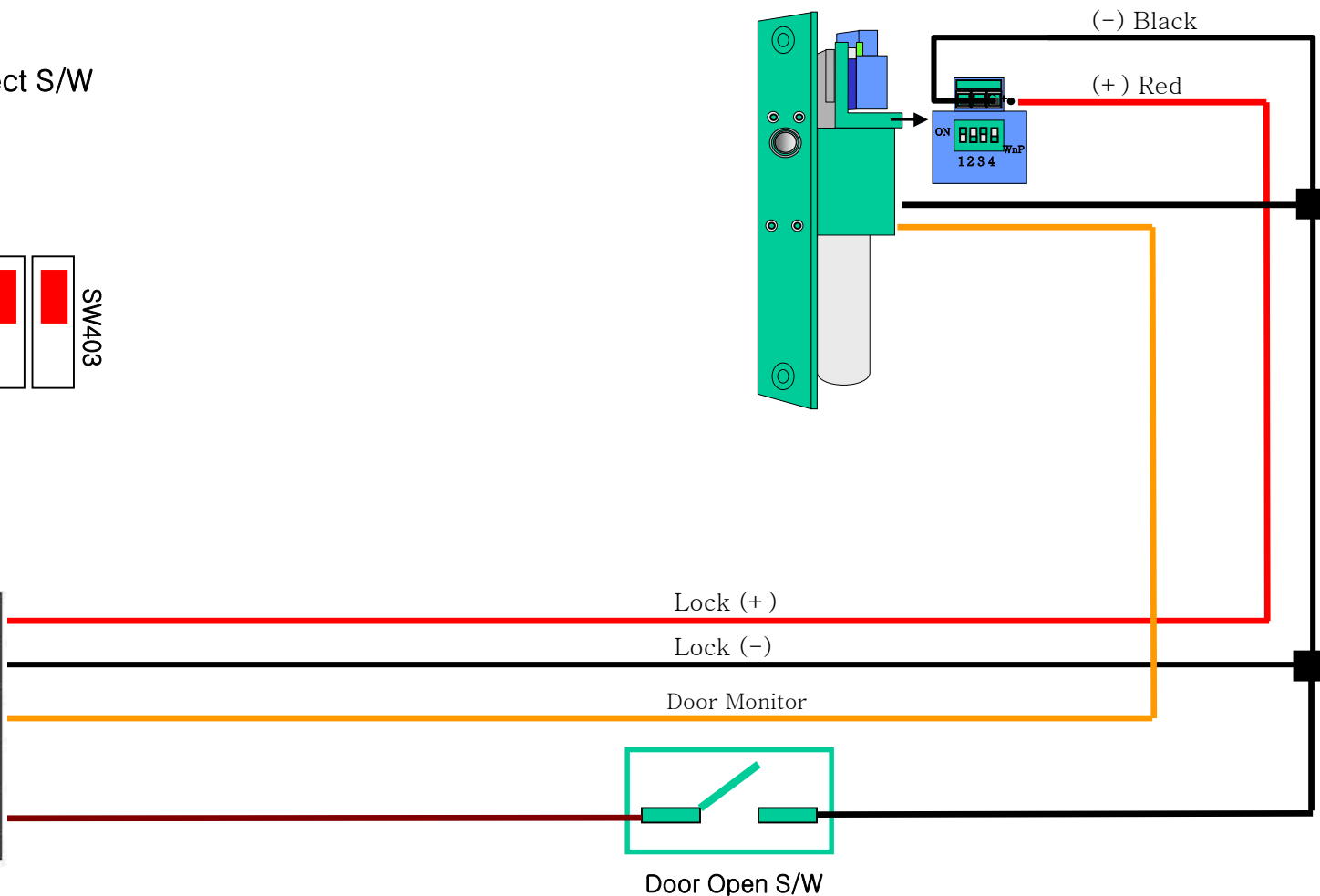
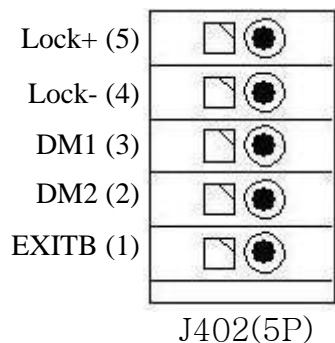
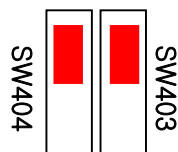
# 4. Description of the switch for setting lock



# 5. Connecting a Dead-Bolt Type Door Lock (Fail Safe)

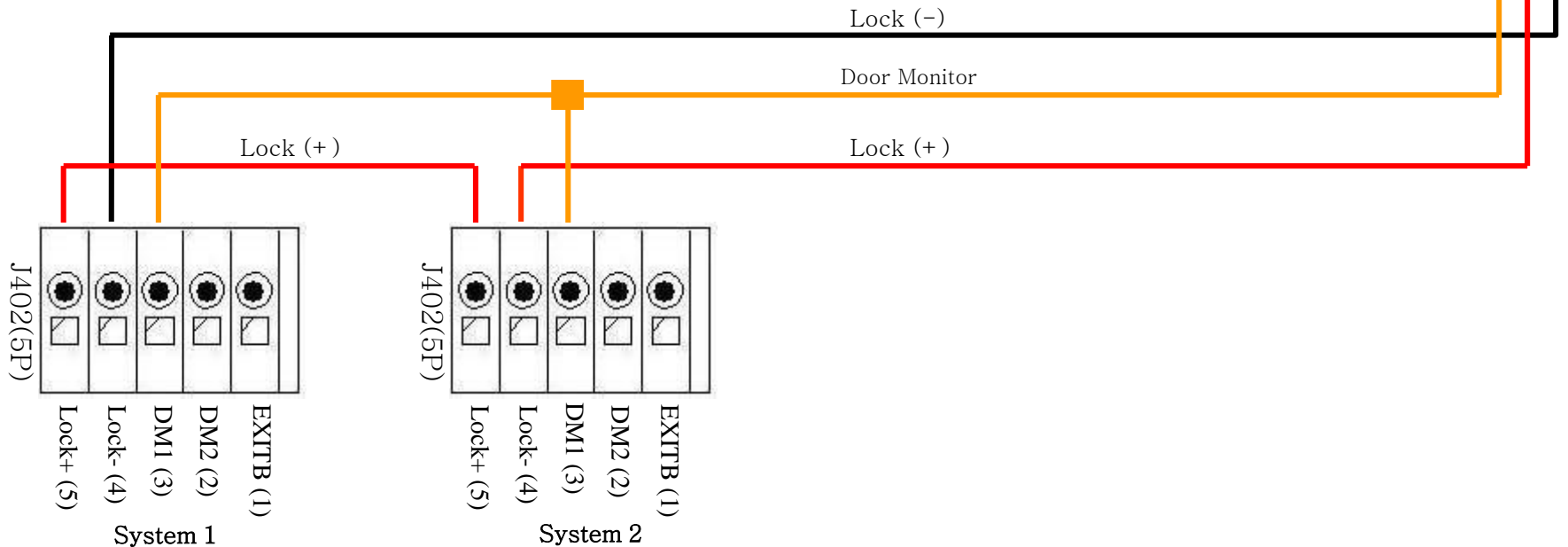
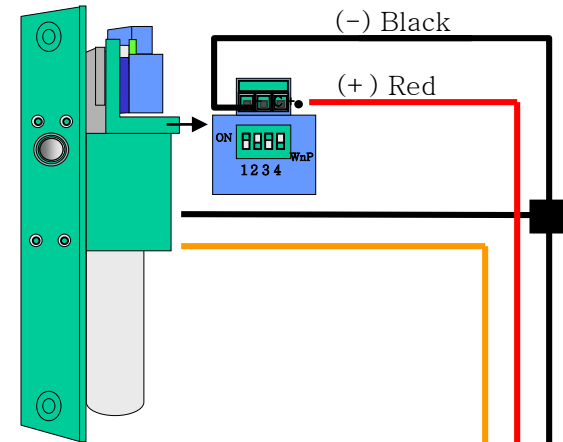
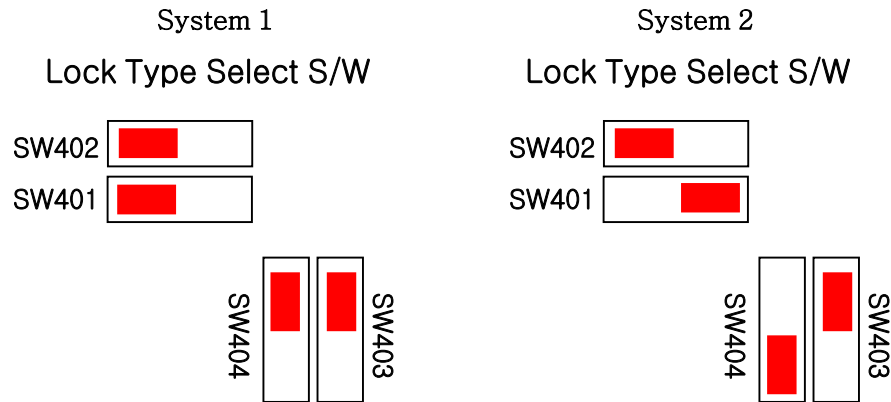
## 5.1. Connecting One System/ One Lock

Lock Type Select S/W



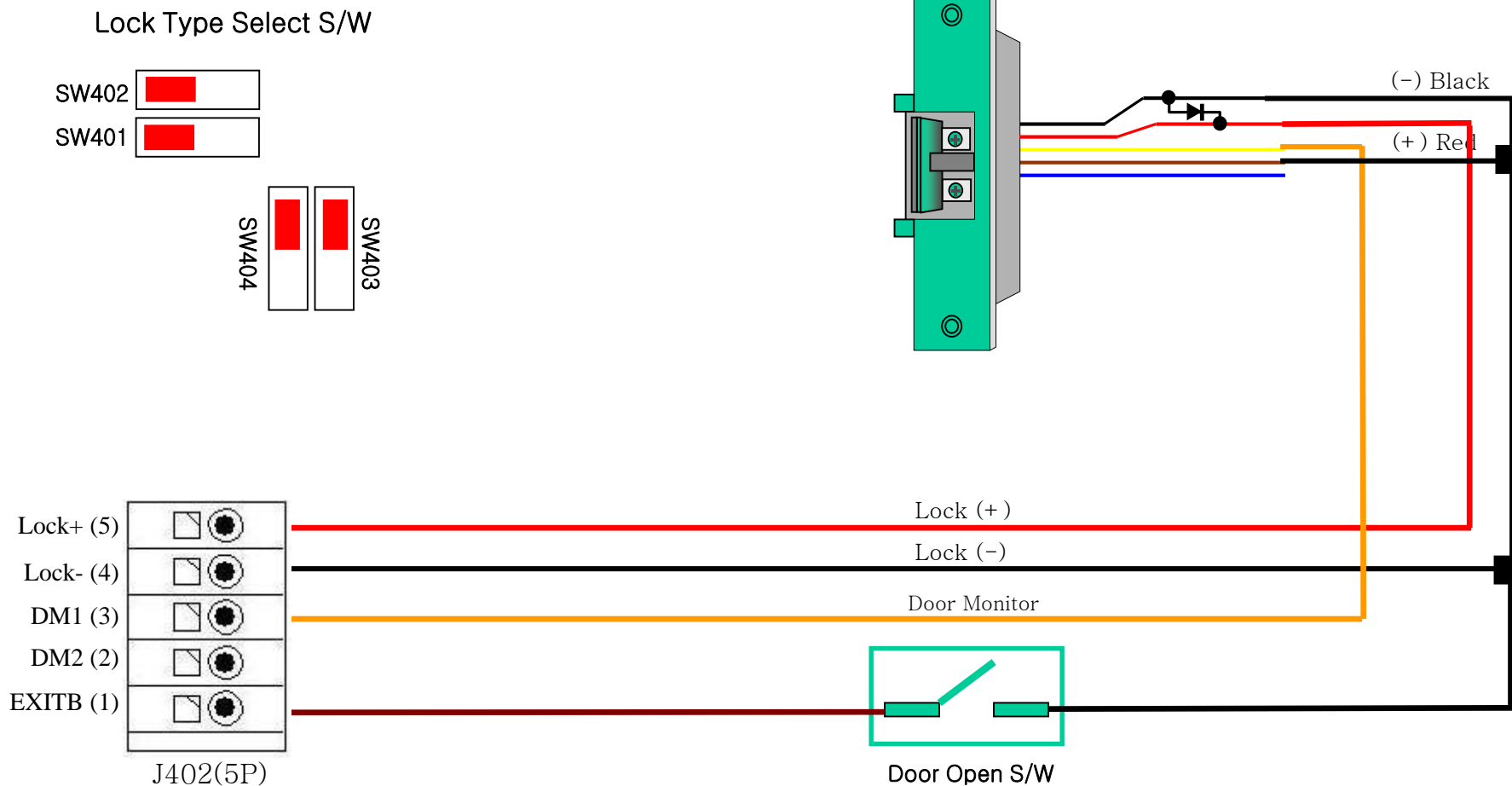
# 5. Connecting a Dead-Bolt Type Door Lock (Fail Safe)

## 5.2. Connecting Two Systems/ One Lock



# 6. Connecting a Strike Type Door Lock (Fail Safe)

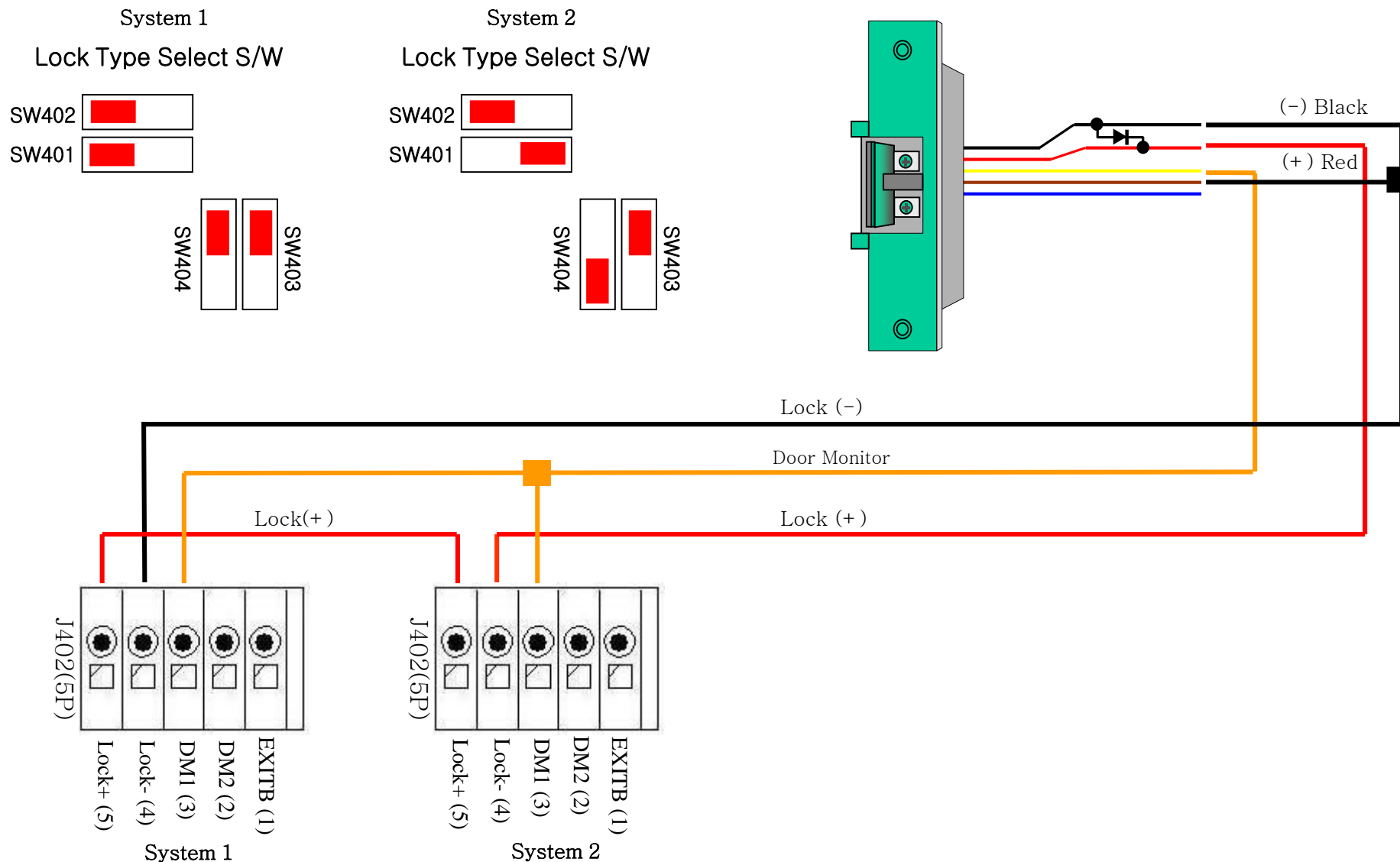
## 6.1. Connecting One System/ One Lock





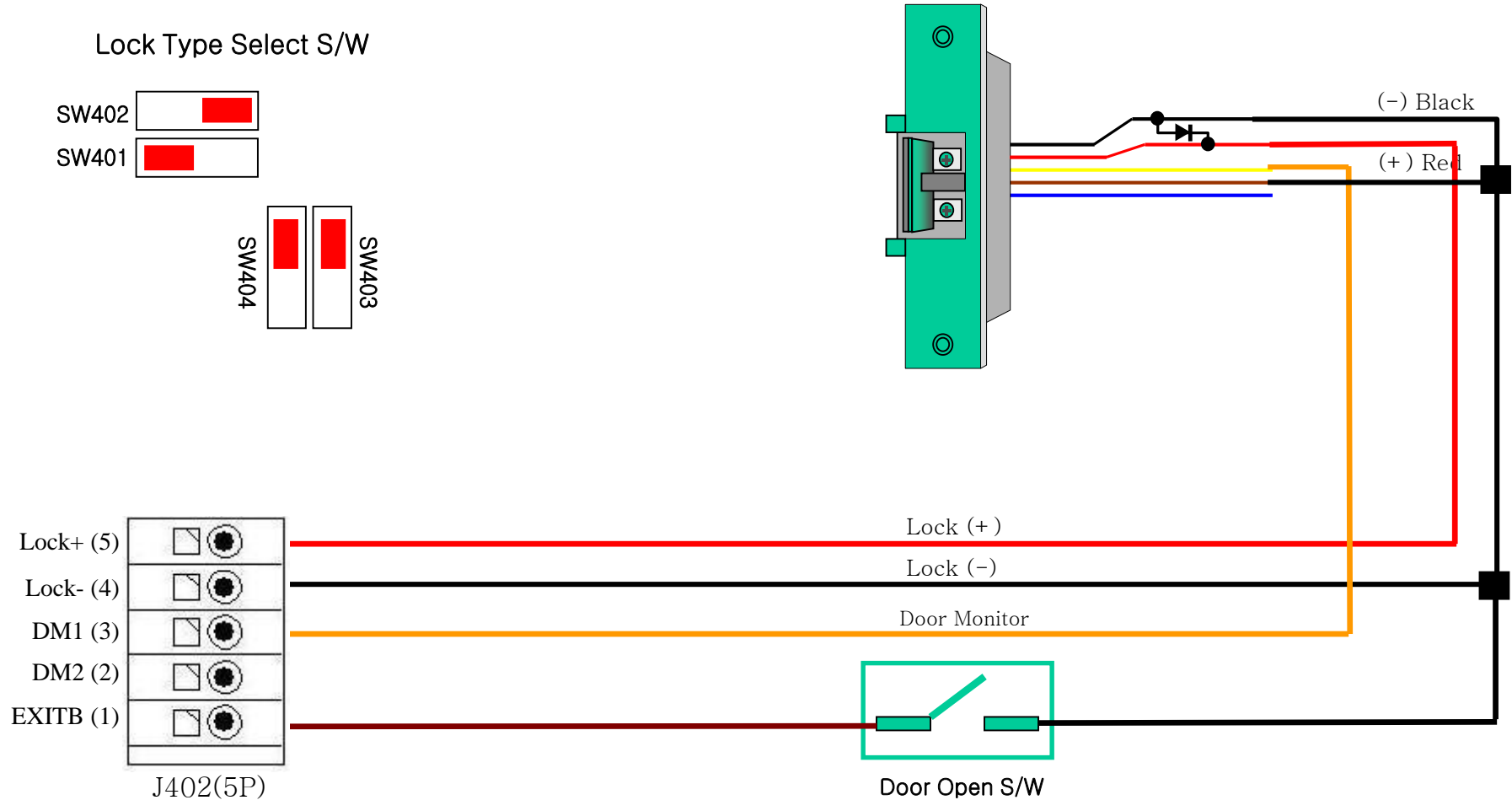
# 6. Connecting a Strike Type Door Lock (Fail Safe)

## 6.2. Connecting Two Systems/ One Lock



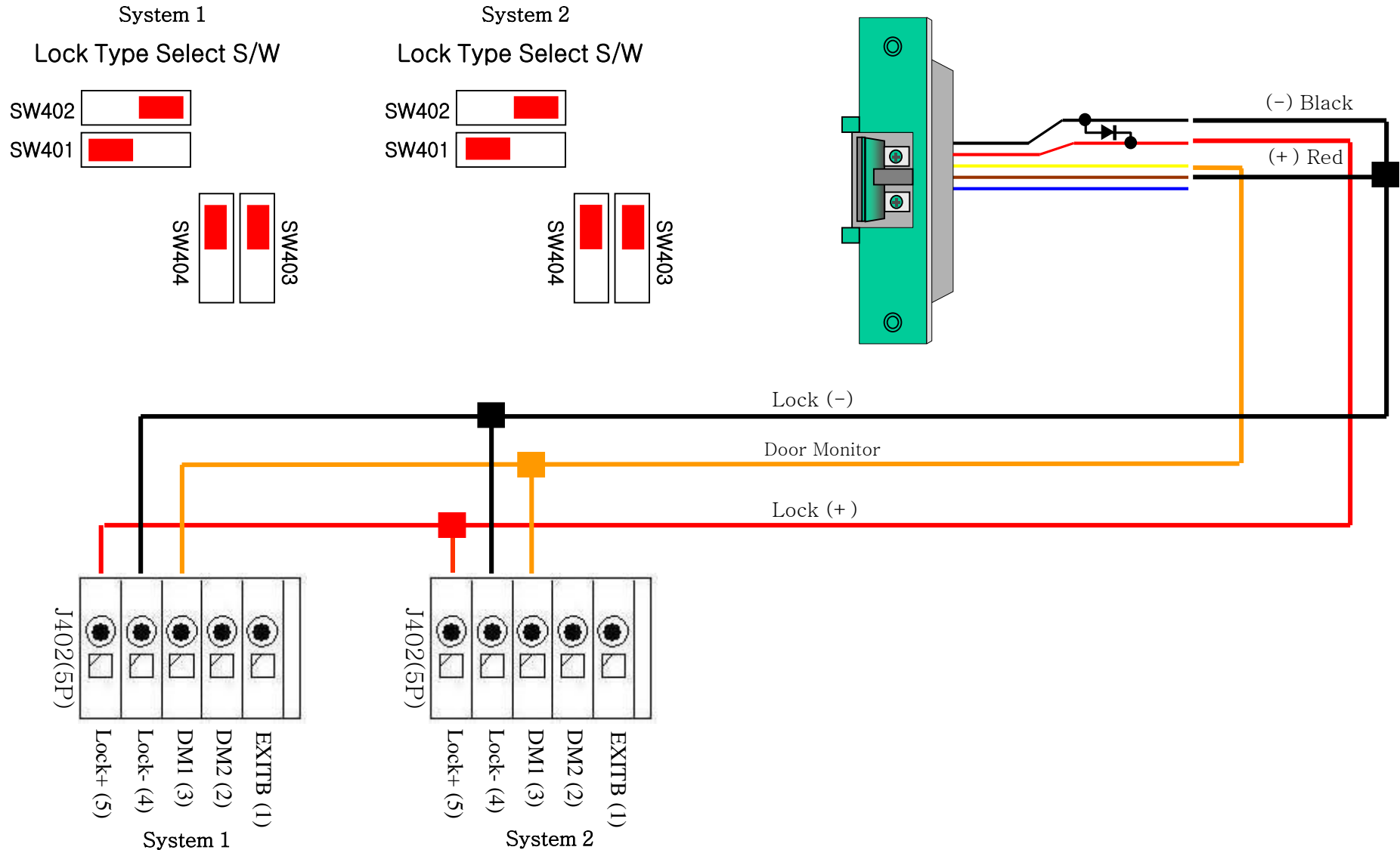
# 7. Connecting a Strike Type Door Lock (Fail Secure)

## 7.1. Connecting One System/ One Lock



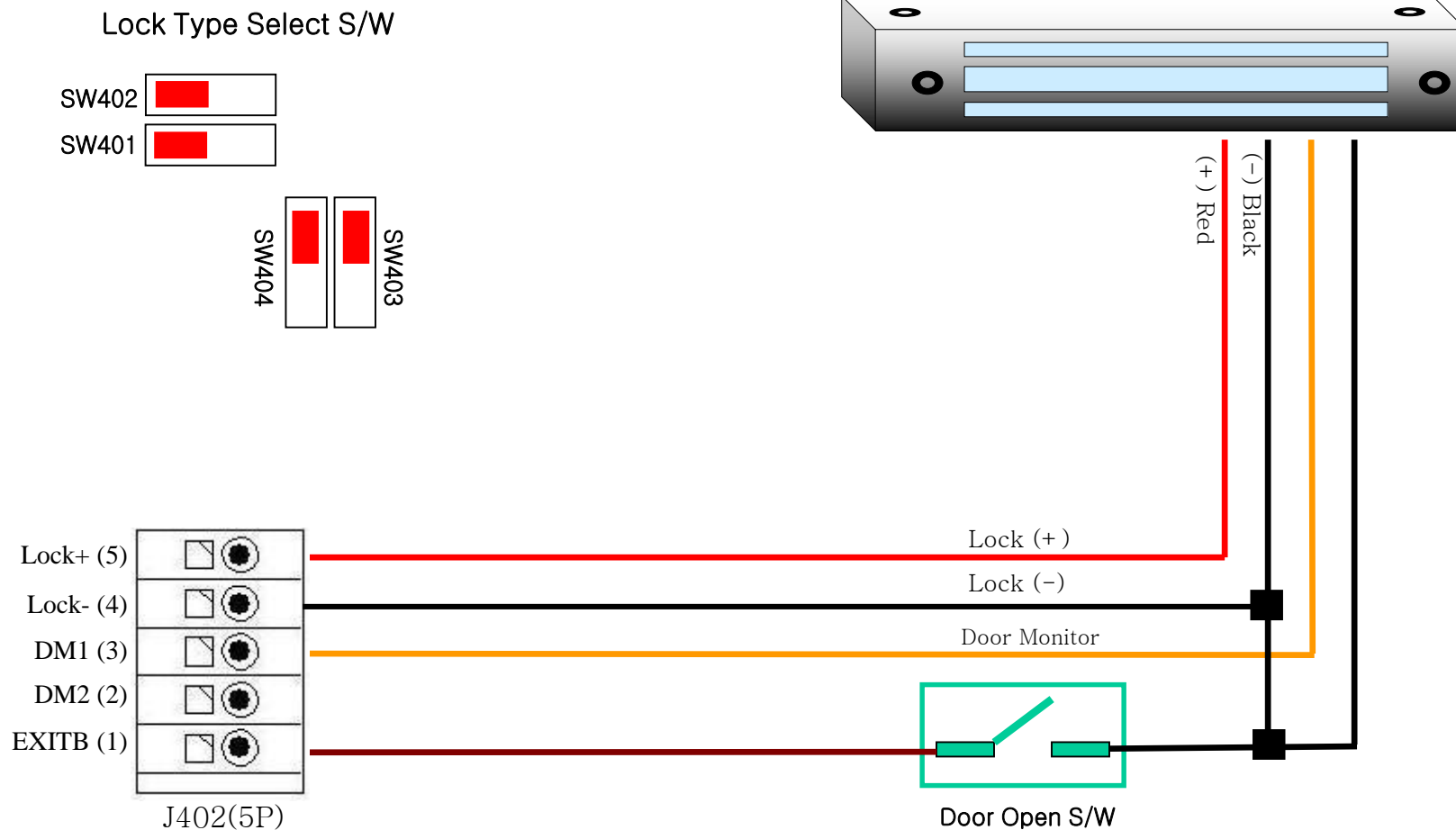
# 7. Connecting a Strike Type Door Lock (Fail Secure)

## 7.2. Connecting Two Systems/ One Lock



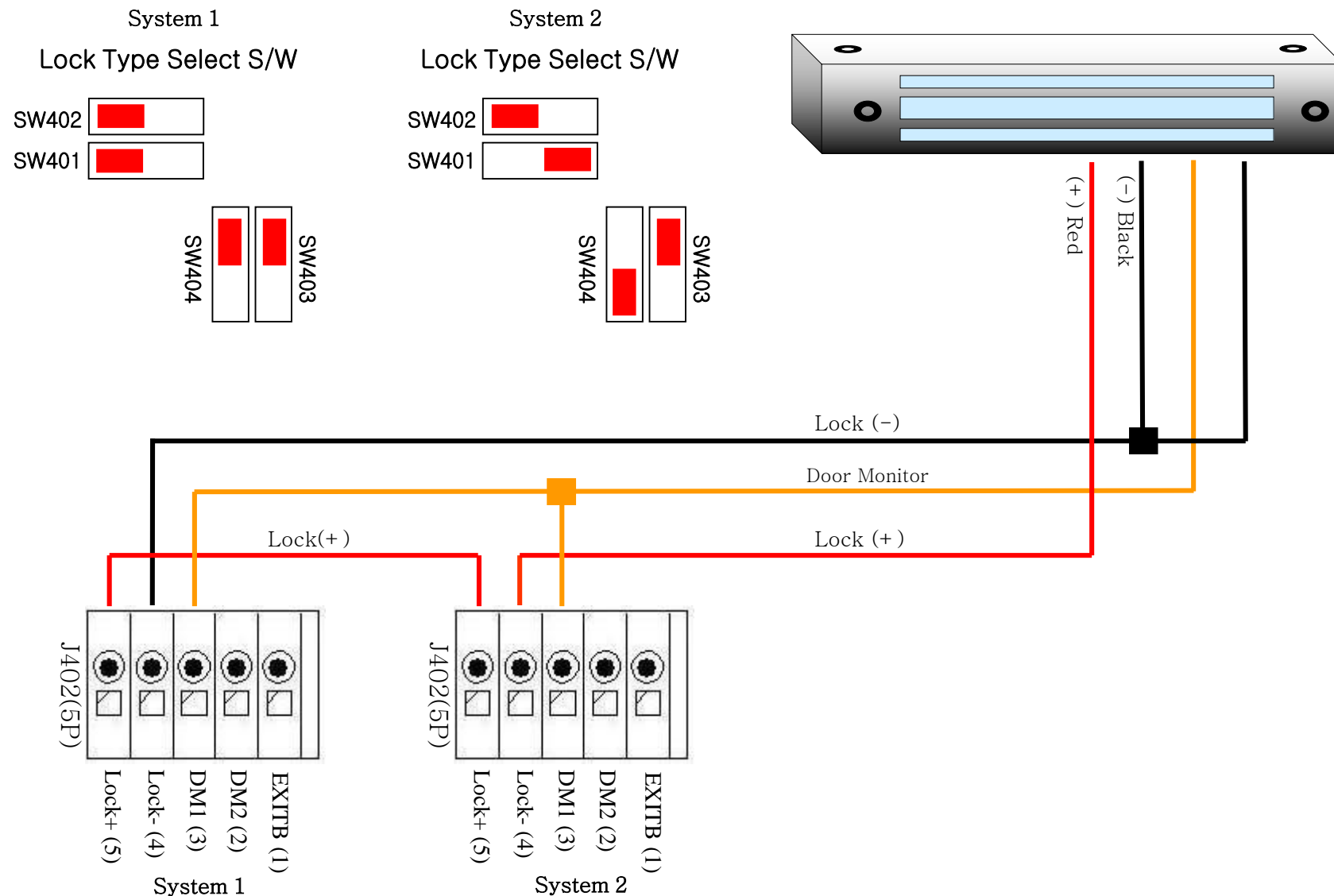
# 8. Connecting an EM Type Door Lock (Fail Safe)

## 8.1. Connecting One System/ One Lock



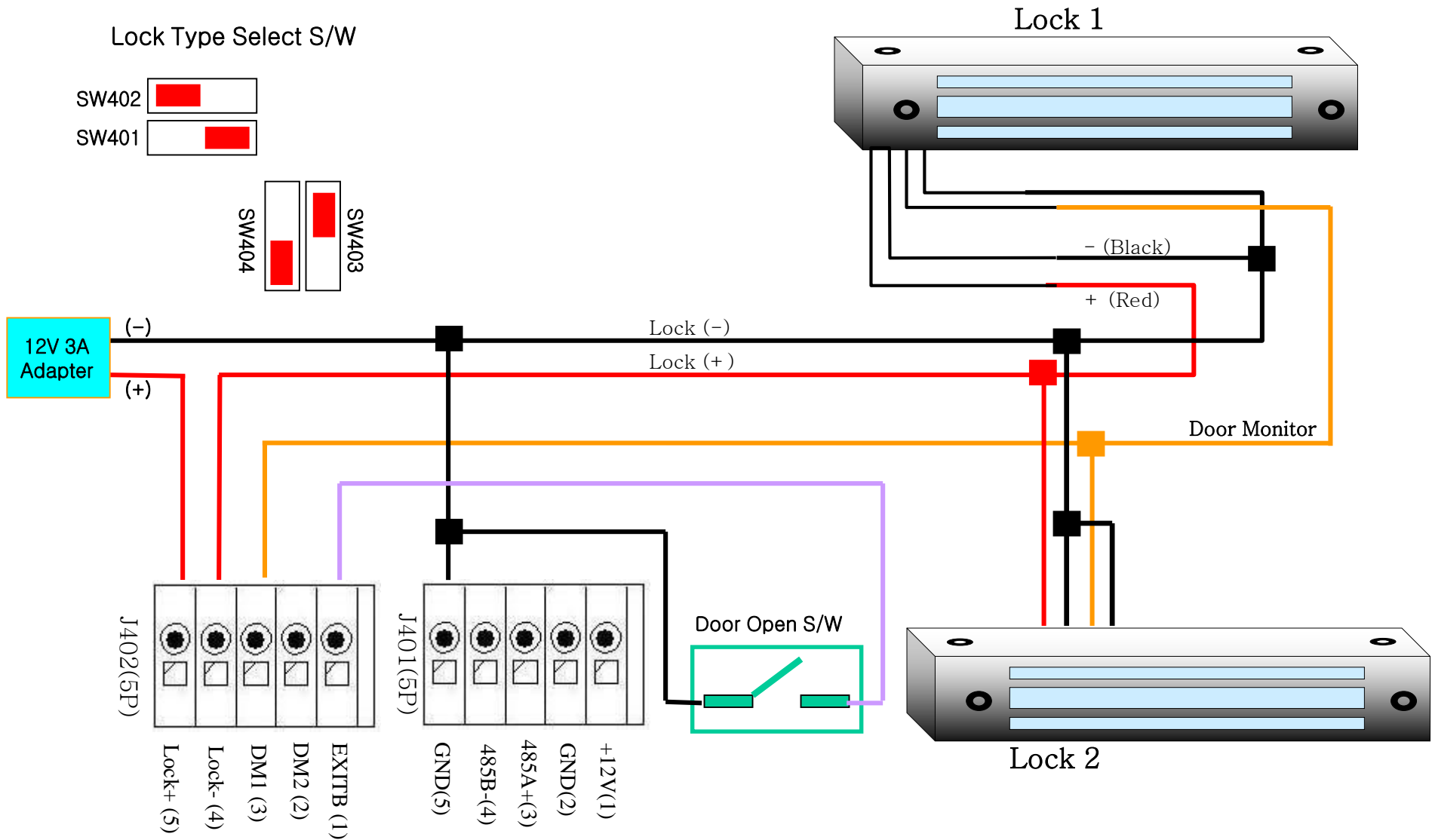
# 8. Connecting an EM Type Door Lock (Fail Safe)

## 8.2. Connecting Two Systems/ One Lock



# 8. Connecting an EM Type Door Lock (Fail Safe)

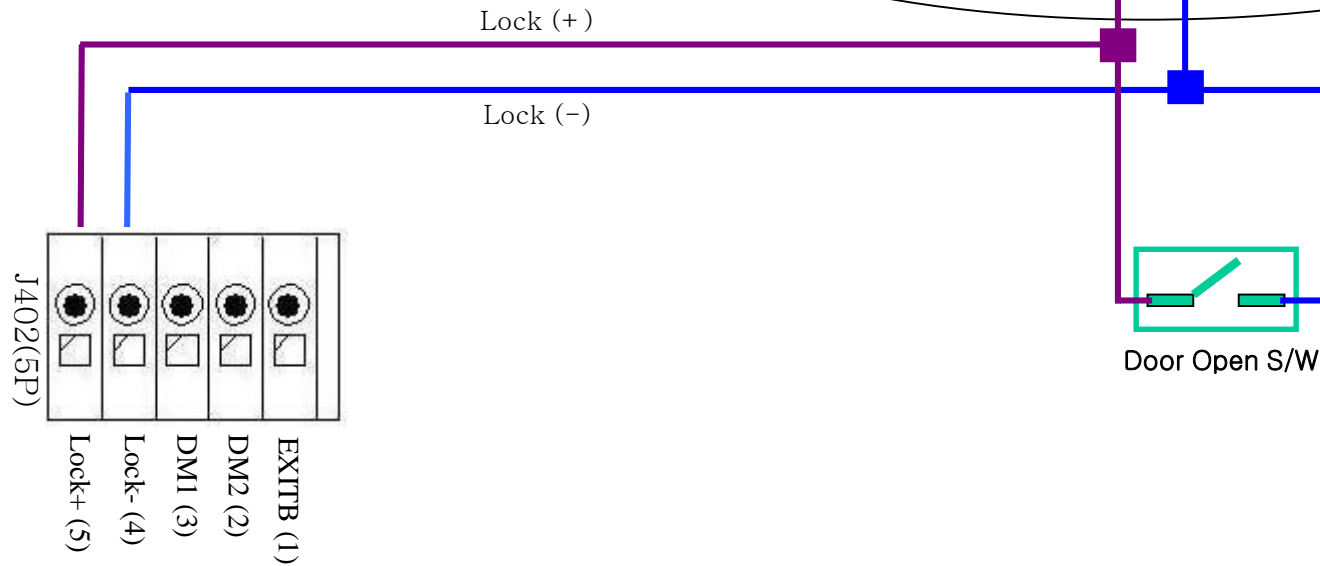
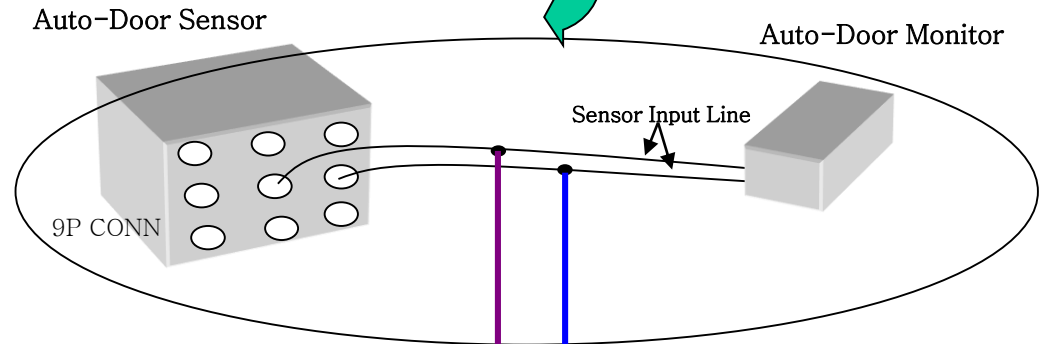
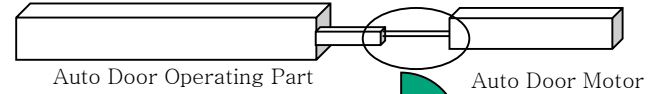
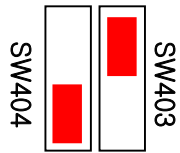
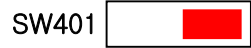
## 8.3. Connecting One System/ Two Locks “ Use external DC Power adapter”



# 9. Connecting Auto-Door (Contact Control)

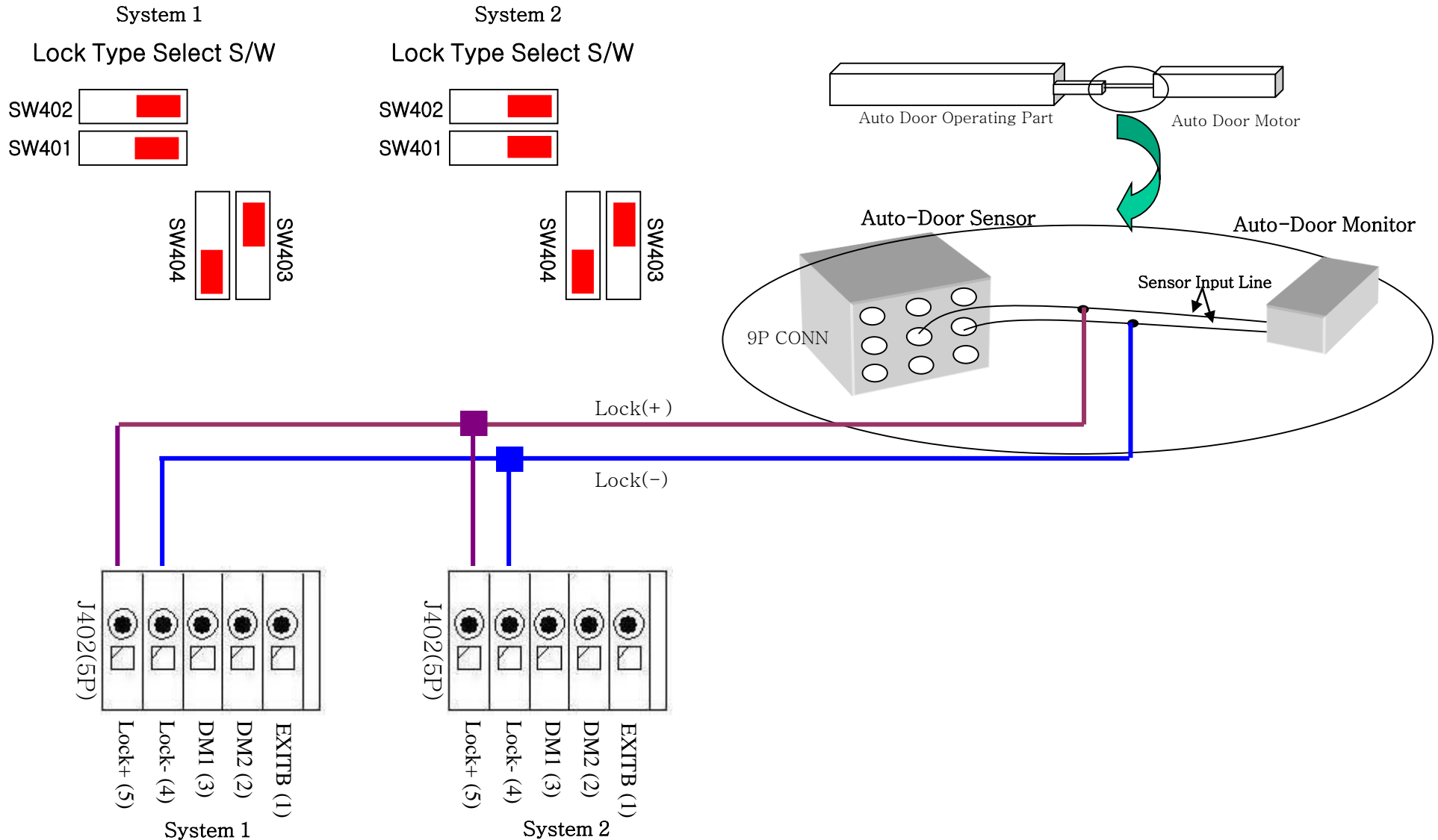
## 9.1. Connecting One System/ One Door

Lock Type Select S/W



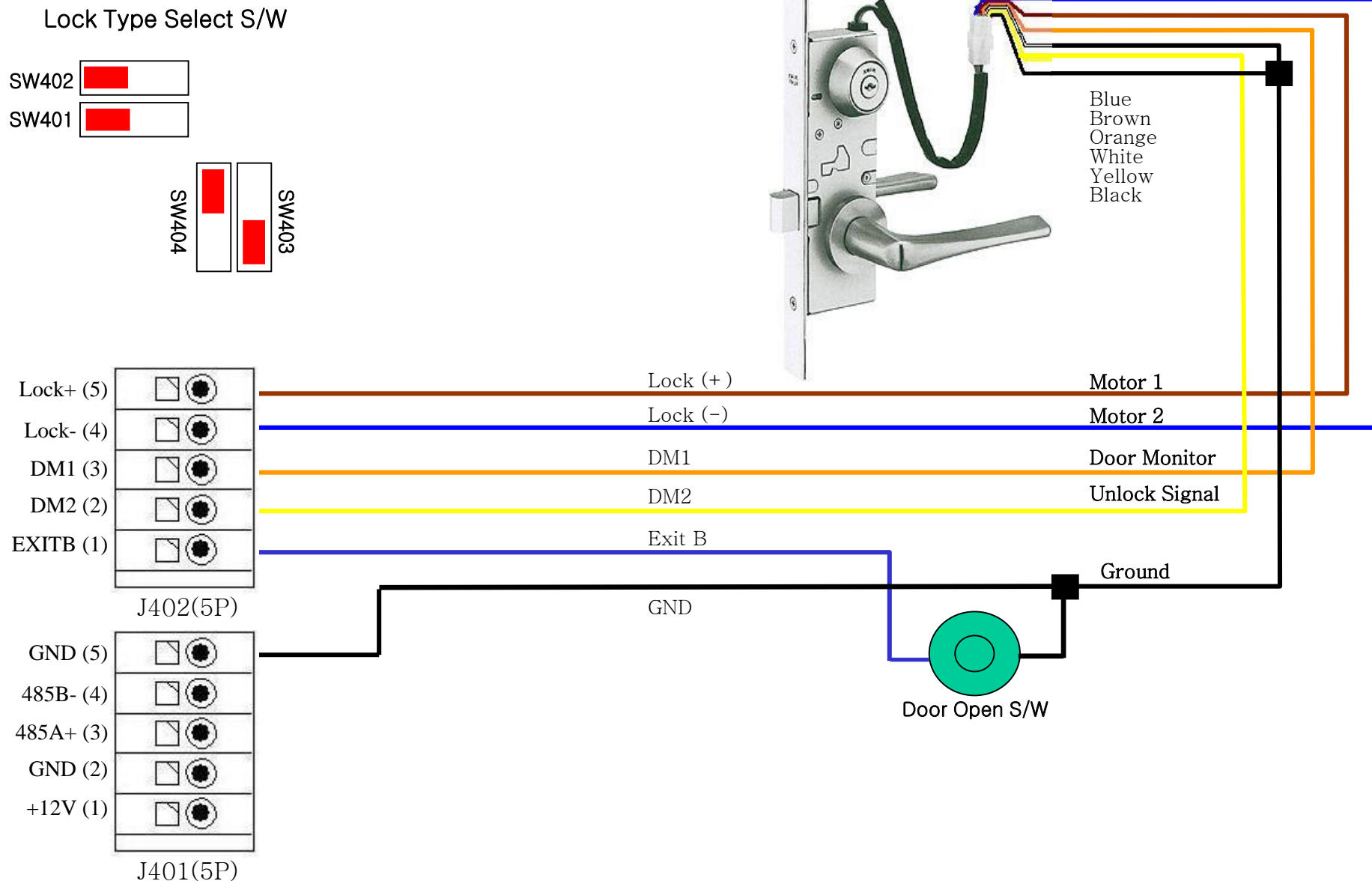
# 9. Connecting Auto-Door (Contact Control)

## 9.2. Connecting Two Systems/ One Door

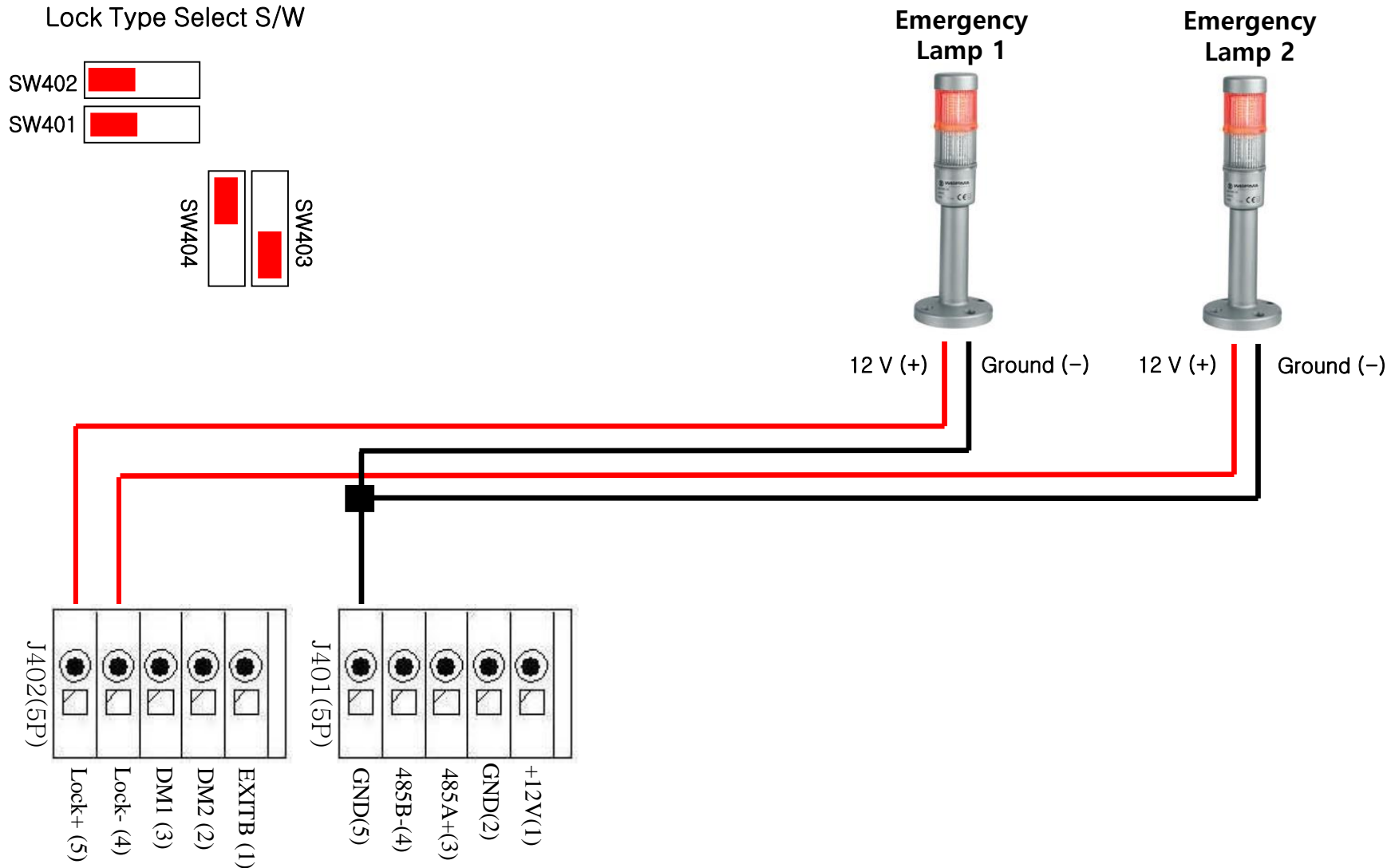




# 10. Connecting a Motorised Lock



# 11. Connecting Two Emergency Lamps



# 12. Connecting an Electronic Lock with Duress Finger

## Ex) Fail Safe

