

DS-1292ZJ

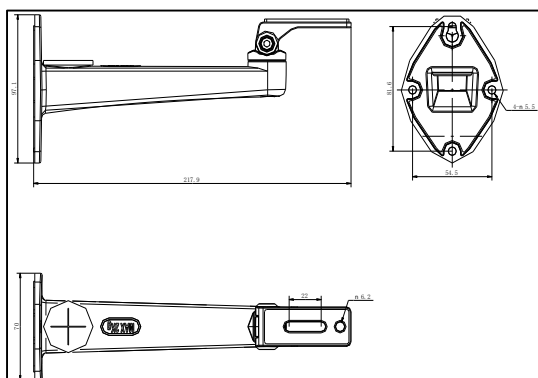
Indoor/Outdoor Wall Mount Bracket



Features:

- Aluminum alloy material with surface spray treatment
- The bracket has built-in outlet hole
- Camera soleplate has sponge mat
- Camera soleplate is rotatable
- Easy installation

Dimension:



Order Model:

DS-1292ZJ

Parameter:

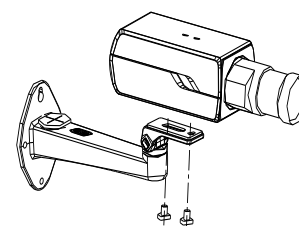
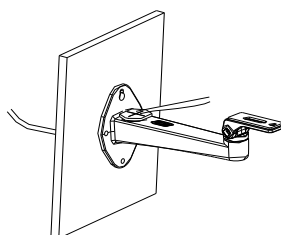
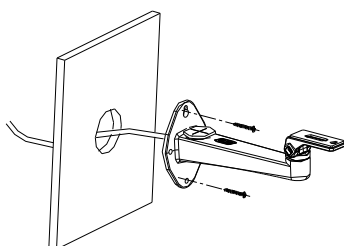
| Model | DS-1292ZJ |
|------------------|---|
| Parameters | Wall Mount Bracket for Box Camera |
| Appearance | Hikvision White |
| Application | For box, bullet and zoom camera |
| Material | Aluminum alloy |
| Angle adjustment | Pan: 360°, Tilt: -45° ~ 45° |
| Dimension | 70×97.1×217.9mm |
| Weight | 201g |
| Accessories | DS-1275ZJ (Vertical Pole mount bracket) |

Notice:

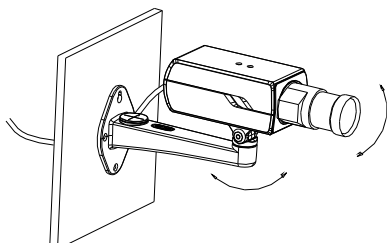
- Notice the color of bracket.
- The bracket should be installed on flat wall.
- The wall must be capable of supporting over 3 times as much as the total weight of the camera and the mount.
- The maximum load capacity of the bracket is 2KG.

Installation Step:

- ① Choose the proper wall
- ② Complete bracket installation, threading, adjust direction of pedestal
- ③ Fix camera on the soleplate



- ④ Wiring, adjust the screws to adjust the camera's direction.



Note: The actual box camera may vary from the picture above.